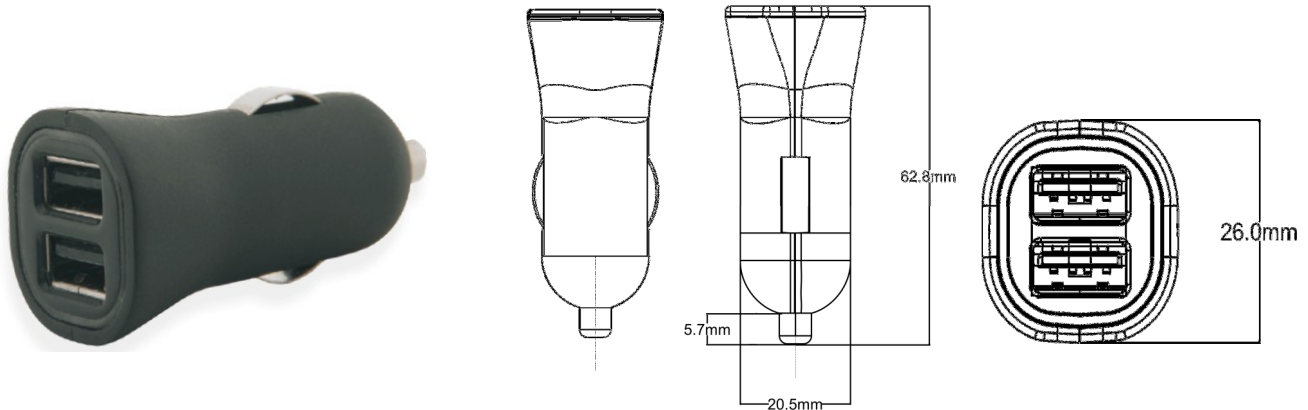


# GP Batteries

## Product Specification

Model no.: CC21



Unit : mm

Product Name	: GP USB Car Charger CC21
Description	: 2 x USB Car Charger
Application	: Charge electronic device via USB output port
Input voltage & current	: 10-16VDC, 1.35A Max
Number of USB port	: 2
USB output voltage & current	: 5V DC, 2.4A shared (Max. 2.4A when only 1 USB port is used.).
USB output power	: 12W
Over voltage protection (OVP)	: Yes
Over current protection (OCP)	: Yes
Short circuit protection (SCP)	: Yes
Over temperature protection (OTP)	: No
Operation Temperature	: 0°C to 35°C
Storage Temperature	: 10°C to 60°C
Product dimension	: 57 (L) x 26 (W) x 26 (H) mm
Weight	: 40g (approx.)
Approval	: CE
Compliance	: EMC, ROHS, REACH
Warranty Period	: 12 months from ex-factory date