

STARWIRE LIGHTING CO., LIMITED

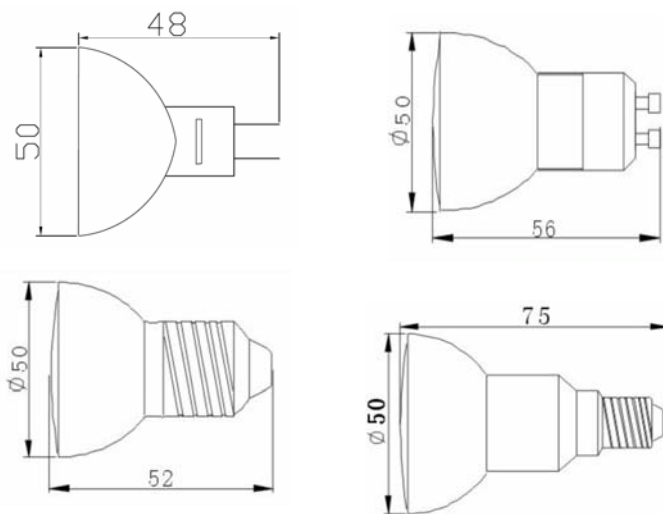
Product Sepcification

***Product Name: 21-led SMD5050 GU10 bulb**

**Item NO: SW-GU10-S21X, SW-MR16-S21X, SW-E27-S21X,
SW-E14-S21X**



*Dimension Drawing



1, All dimmension units are millimeters

2, All dimension tolerance is ± 1 mm unless otherwise noted.

* Parameters:

Part Number	Color	Color Temperature	Dimmension	Beam angle	LED	Voltage	Wattage	Light Output	Life Span
SW-MR16-S21X	WW/W	WW(2800-3300K); W(6000-6500K).	φ50mm x H48mm	120 degree	21pcs smd5050	AC/DC 12V	2.5W	185-200lm	30000 Hours
SW-GU10-S21X			φ50mm x H56mm			AC85-120V			
SW-E27-S21X			φ50mm x H52mm			AC200-260V			
SW-E14-S21X			φ50mm x H75mm						

STARWIRE LIGHTING CO., LIMITED

Product Sepcification

* **Operating Environment**

Operating Temperature: -25°C - 60°C

Storage Temperature: -40°C - 80°C

* **Advantage:**

- 1, Same glass profile design as traditional bulb.
- 2, Use 21pcs 5050 leds for light source, 2.5W can get 175lm. Replace 25W bulb.
- 3, Standard size (50mm diameter) are suitable for normal fixtures.
- 4, 30,000 hours life span.

* **Applications:**

- 1). Architectural decorative lighting
- 2). Indoor Decoration
- 3). Auditorium walkway lighting
- 4). Stairway lighting & Decoration
- 5). Border/contour lighting
- 6). Channel letter lighting
- 7). Emergency & Security lighting
- 8). Cove lighting
- 9). Shop-window decoration.



* **Notice:**

- 1) No pressing or striking
- 2) Transport and handle carefully
- 3) Pay attention to the voltage before using
- 4) Indoor use only
- 5) No twisting when power is on
- 6) Do not touch the bulbs when power is on

* **Package:**

- 1). white box: 1*1pcs, 52*52*67mm, 70g/pcs
- 2). Inner box: 1*50pcs, 285*285*150mm, 3.25kg
- 3). Outter box: 1*200pcs, 580*290*340mm, 13.5kg