

Specification Sheet

Model name / **YB2**

Product description / **Bay Light**

Revision / **3A**

Issues date / **2013/3/5**


Hergy Lighting Technology Corp.

9F-1 No. 13, Sec.2, Beitou Rd., Beitou Dist., Taipei City 112, Taiwan

TEL: 886-2-28911667

FAX:886-2-28910367

<http://www.hergy.com.tw>



1. Image



2. Specifications

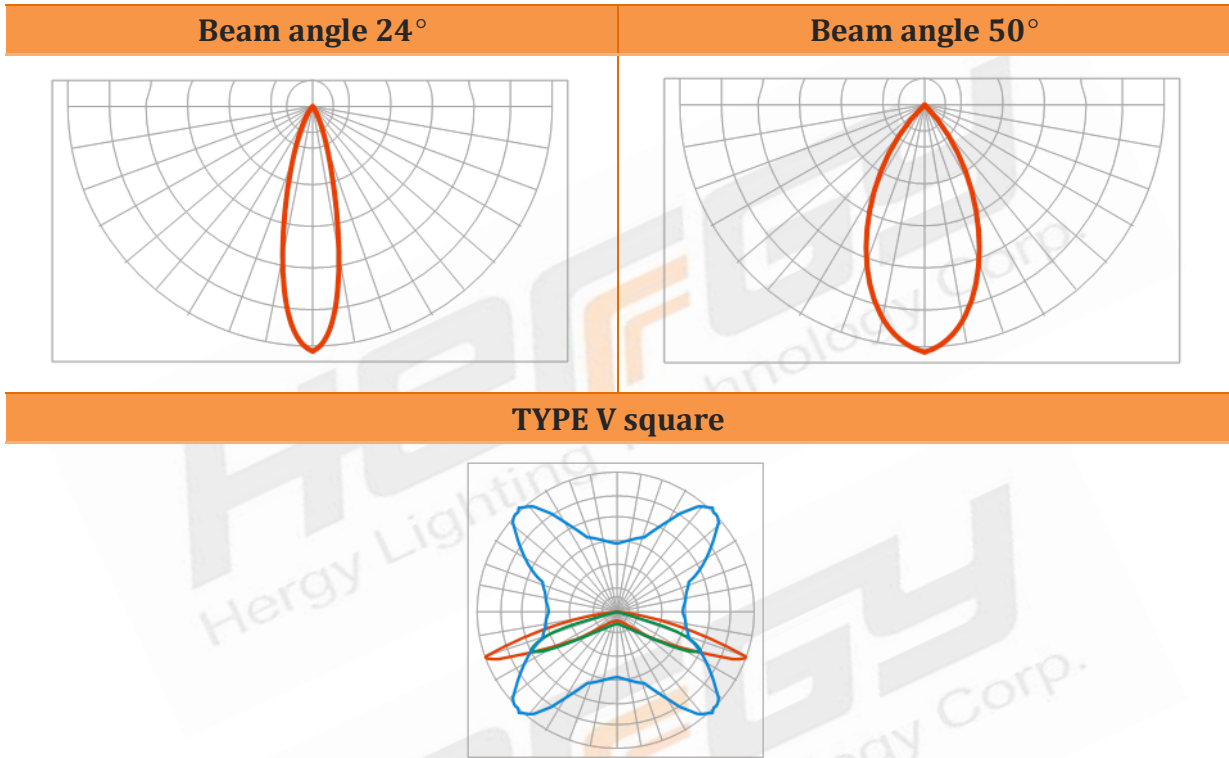
Product number	YB2 HGY-□N□□7- 00D1-03	YB2 HGY-□C□□7- 00D1-03	YB2 HGY-□N□□7- 00E1-03	YB2 HGY-□C□□7- 00E1-03
Input voltage	90~305 Vac			
Power factor	> 0.9			
LED brand	CREE / Philips Lumileds			
Color temperature	Neutral 4000K	Cool 5000K	Neutral 4000K	Cool 5000K
CRI	70	70	70	70
Luminous output (initial)	6,000 lm	6,400 lm	8,400 lm	8,800 lm
Power consumption	62 W	62 W	96 W	96 W
Luminaires efficacy (initial)	97 lm/W	103 lm/W	88 lm/W	92 lm/W
Beam angle	BA 24° / BA 50° / TYPE V square			
Dimension	395 x 395 x 150 mm			
Weight	6.9 kg			
Operating temperature	-40 ~ +50°C		-40 ~ +20°C	
Support dimming function	Optional (1-10V)			
IP protection	IP67			
Surge protection	10KV/10KA			

❖ Luminous flux measurement is at 25°C

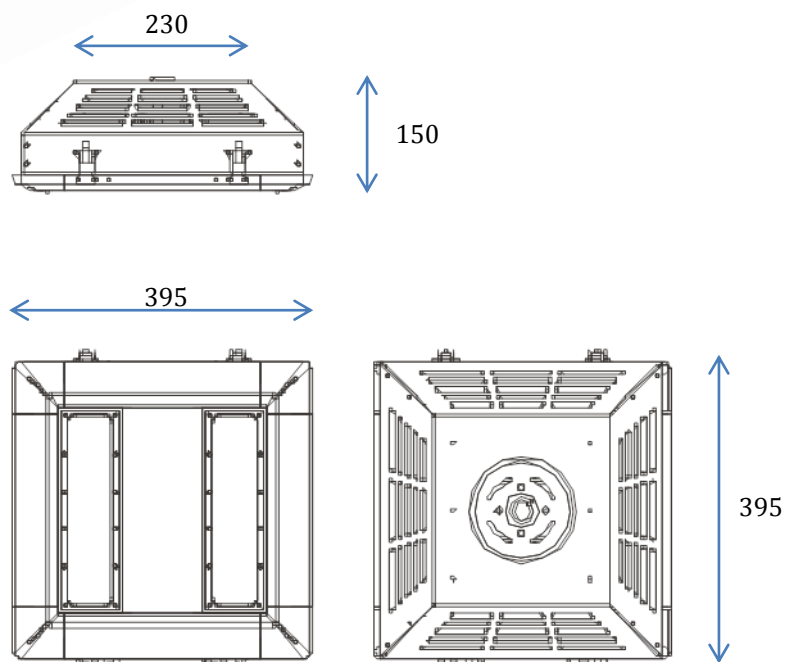
❖ Luminous flux and power consumption measurement allowance is ± 10%

❖ CRI allowance is ± 5

3. Optical data



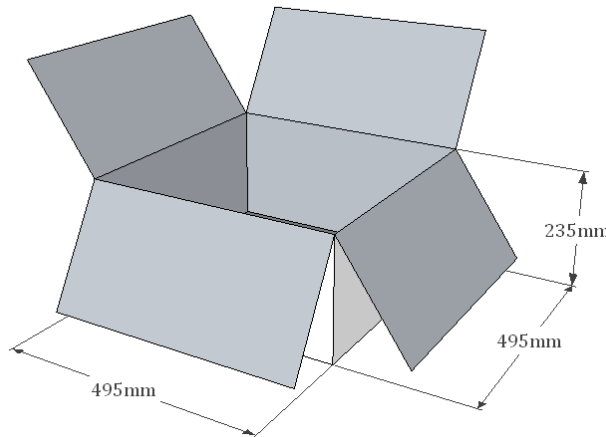
4. Dimension



(mm)

5. Packing information

Dimension	495 x 495 x 235 mm (+/- 20mm)
Weight	8.5 kg (+/- 0.8kg)



6. Attention

1. Always ensure power supply is disconnected before and during installation, maintenance, lamp replacement and accessory fitting.
2. Please ensure the module and fixture in well grounding.
3. Please prevent to use in sulfide and chloride environment.
4. Do not stare at operating light source directly in 1 meter.
5. Please ensure the wire is connected to the right pole.
[Brown : AC/L ; Blue : AC/N ; Green/Yellow : Grounding]

7. Exemption clause

1. This warranty applies only to the repair or replacement of the product and only when the product is properly handled.
2. This warranty excludes defects resulting from vandalism or unauthorized modification.
3. This warranty excludes defects resulting from improper power supply.
4. This warranty excludes defects resulting from improper wiring.
5. This warranty excludes defects resulting from installation, module replacement with power on.
6. This warranty excludes defects resulting from improper power surges.

7. This warranty excludes defects resulting from acts of God.
8. This warranty excludes defects resulting from special installation like boat or vehicles use (Except specified model).
9. This warranty excludes defects resulting from installation outside set ambient temperature.
10. This warranty excludes defects resulting from corrosive environment (Chloride, Sulfide) installations.
11. This warranty excludes defects resulting from wet location installation without proper waterproof connectors.
12. This warranty excludes defects resulting from underwater usage.
13. This warranty excludes defects resulting from visible steam inside LED module by climate change.

8. Order number rule

XX	X-	X	X	XX	X-	XX	X	X-	XX
Company	Category	LED brand	CCT	Optic	Voltage	Socket	Module current	Control	series
Company				Optic					
HG		Hergy			24		BA 24°		
					50		BA 50°		
Category					T5		TYPE V square		
Y		Bay Light		Voltage					
					7		100~277 Vac		
LED brand				Socket					
C		CREE							
L		Philips Lumileds			00		pigtail		
				Module current					
CCT					D		700mA		
					E		1,000mA		
				Control					
C		Cool white							
N		Neutral white			1		Non-dimming		
W		Warm white			V		1-10V dimming		