



Product Feature :

- 1.5050 SMD LED as light source,super luminous flux,large viewing angle,even lighting,low attenuation.
- 2.Best cost performance,high color consisence.
- 3.Energy saving,environment-friendly,long life span50,000hrs.
- 4.Suitable for channel letters and light boxes backlighting etc.

Specification

LED Type 5050 SMD LED

Available Color R/G/B/Y/W

Angle($2\theta_{1/2}$) $\geq 140^\circ$

Luminous Flux (lm)

Red Light	Green Light	Blue Light	Yello Light	White Light	White Cold
14	35	14	14	51	36

Wavelength Scope (nm or K)

Red Light	Green Light	Blue Light	Yello Light	White Light	White Cold
619~635	512~528	463~475	584~595	6000-6500	9000-12000

LED Qty 3pcs

Life Span 50,000H

Electrical Parameter

Working Voltage DC12V

Working Current 60mA

Power 0.72W

Driving Method constant voltage

Wires & Series Connection Length

Wires adopt 75mm long 20AWG gray and white wires,gray:positive,white:negative

Stand Length In Serial Connection 20PCS

Maximum Length In Serial Connection ≤ 20 pcs

Outer Parameter

Shell ABS
78*15mm

Dimension **White**

Color

Fixed mode

Screw $\phi 2.6$ --- $\phi 3.0$

Double-sided adhesive 40mm,double-sided adhesive

Environment Parameter

Working Temperature -40 ---60

Store Temperature -50 ---80

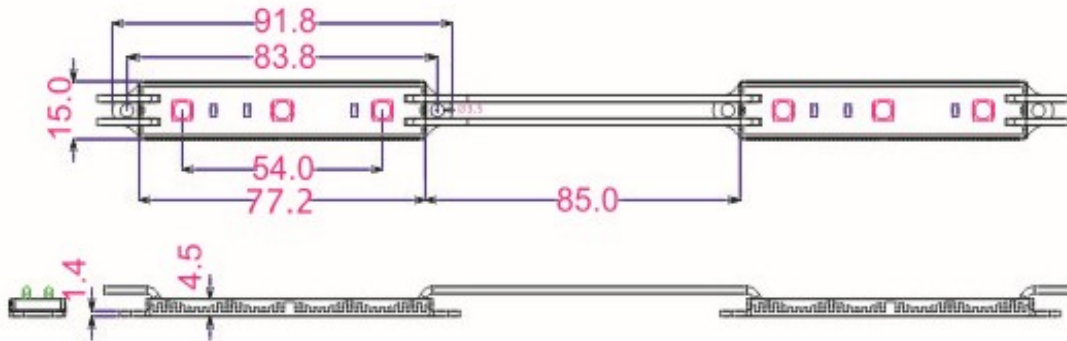


RoHS



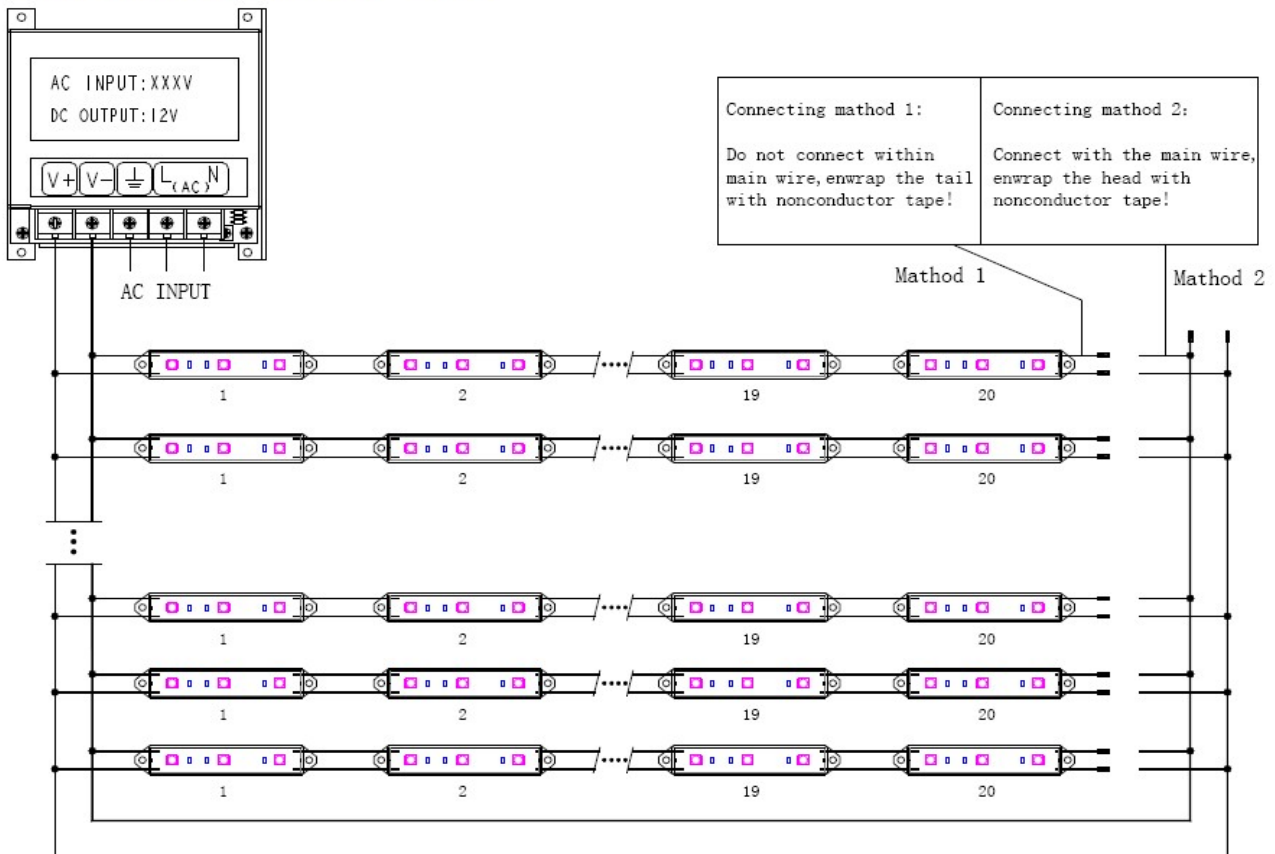
Dimension (Unit: mm) :

Installation Chart (Unit: mm) :



parallel connection for modules more than 20pcs a chain

Connection Diagram (Unit: mm) :



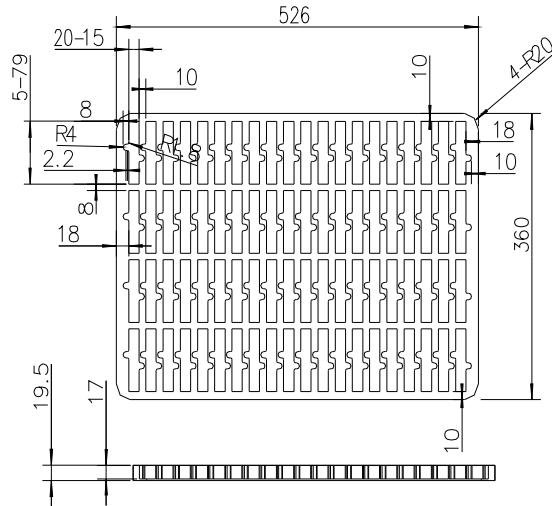
Notes:

1. 20# cable are recommend for the chain of modules, it may cause brightness difference in the beginning and the end if cable length more than advised.
2. The both ends of extension shall be dealt with as waterproof;
3. Don't work under the situations of touching in static-electronics environments or light on

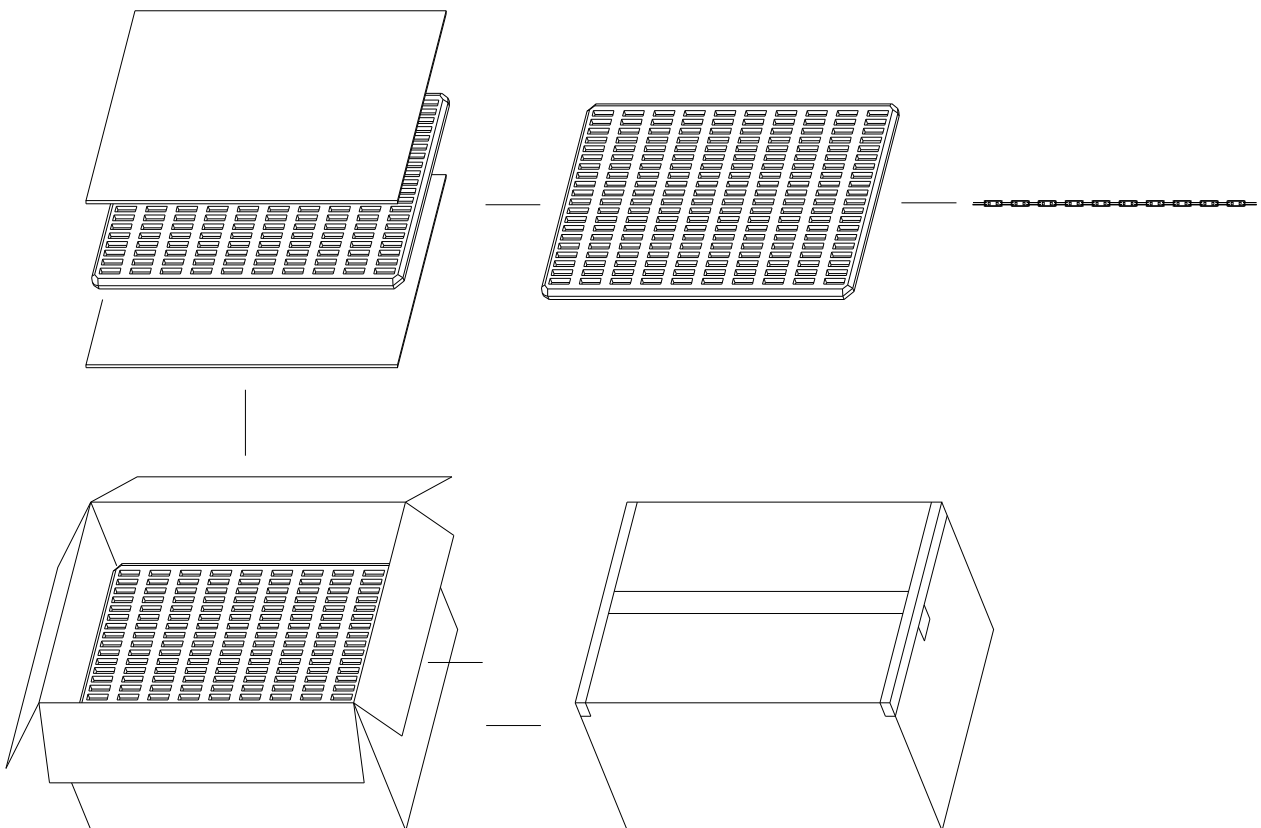
4.The modules can be connected to 20 pcs at maximum in series;Parallel connection for more than 20pcs are strongly recommend

5.High-quality LED power transformer are strongly recommend(with steady output).

Inner Package Dimension(Unit: mm) : Anti-static bag Dimension (Unit: mm)



Outer Package Dimension (Unit: mm) :



Cautions: