

LED Automotive Light Series
Technical Data Sheet

Model No.: L-ALXXDA12R



Features:

- ◇ High intensity.
- ◇ Low power consumption.
- ◇ Long life.
- ◇ Voltages available: 12V DC.
- ◇ Available for all color.
- ◇ Easy-equipped.

Description:

It is has high intensity by using High brightness LED. The colors of lighting can be white, warm white, red, yellow, blue, green and other colors.

Application:

- ◇ Entertainment Lighting.
- ◇ Architectural lighting.
- ◇ City Beautification.
- ◇ Landscape lighting.
- ◇ Furniture decoration.
- ◇ Other light sources.

Device Selection Guide:

Part No.	Color	Q'ty of LEDs (pcs)	Color Temp / Wavelength Typ (kelvin/nm)	Total Lumens Typ (lm)
L-ALW6DA12R	Warm White	12	3000K	18.4
L-ALWDA12R	White	12	8000K	22.1
L-ALBDA12R	Blue	12	470nm	3.6
L-ALGDA12R	Green	12	525nm	20.8
L-ALYDA12R	Yellow	12	590nm	11.2
L-ALRDA12R	Red	12	625nm	7.4

Absolute Maximum Ratings (Ta = 25°C)

Items	Symbol	Rating	Units
Operating Voltage	Viac	DC13	V
Operating frequency	Freo	---	Hz
Power Dissipation	Pa	1	W
Operating Temperature	Tope	-30 - +50	°C
Storage Temperature	Tsto	-40 - + 80	°C

Typical Performance (Ta = 25°C):

Items	Symbol	Min	Typ.	Max.	Units
Input Voltage	V	11	12	13	V
Beam Pattern	BP	---	180	---	Deg
Total Length	Lmod.	---	42.5	---	mm
Net Weight	Wei.	---	8.8	---	g
Estimated Life [1]	Life	---	50000	---	hour
Optimized Thermal Management (Body Temperature)	/	---	---	45	°C

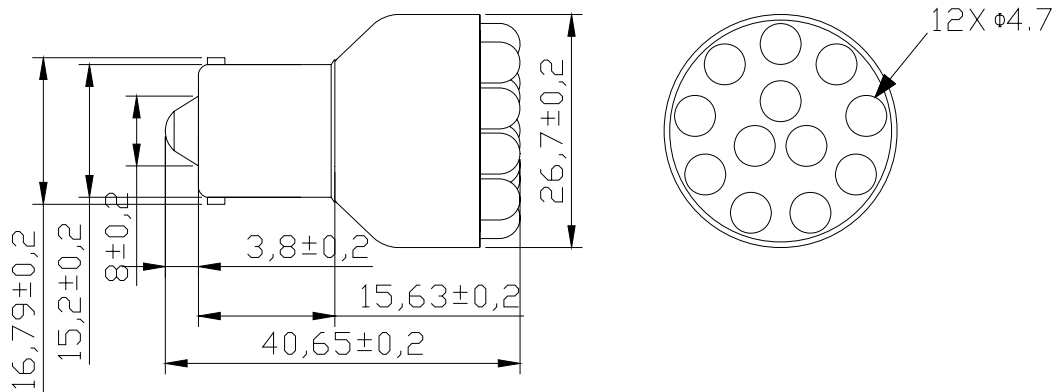
Notes:

- [1] The BA9S Automotive Light can work 4-8 hours per day, and the lifetime can reach 50,000 hours, even longer. All the parameters are tested by Lucky Light's equipment.
- Rank ratings will be determined by Lucky Light, if you have any request or queries for Lucky Light products, please directly contact salesman.
- The brightness and forward voltage can be designed according to customer specifications.
- Specifications are subject to change without notice.

Product picture:



Product Dimensions:



Notes:

1. All dimensions unit in mm.
2. The tolerance is +/- 0.2mm unless otherwise noted.