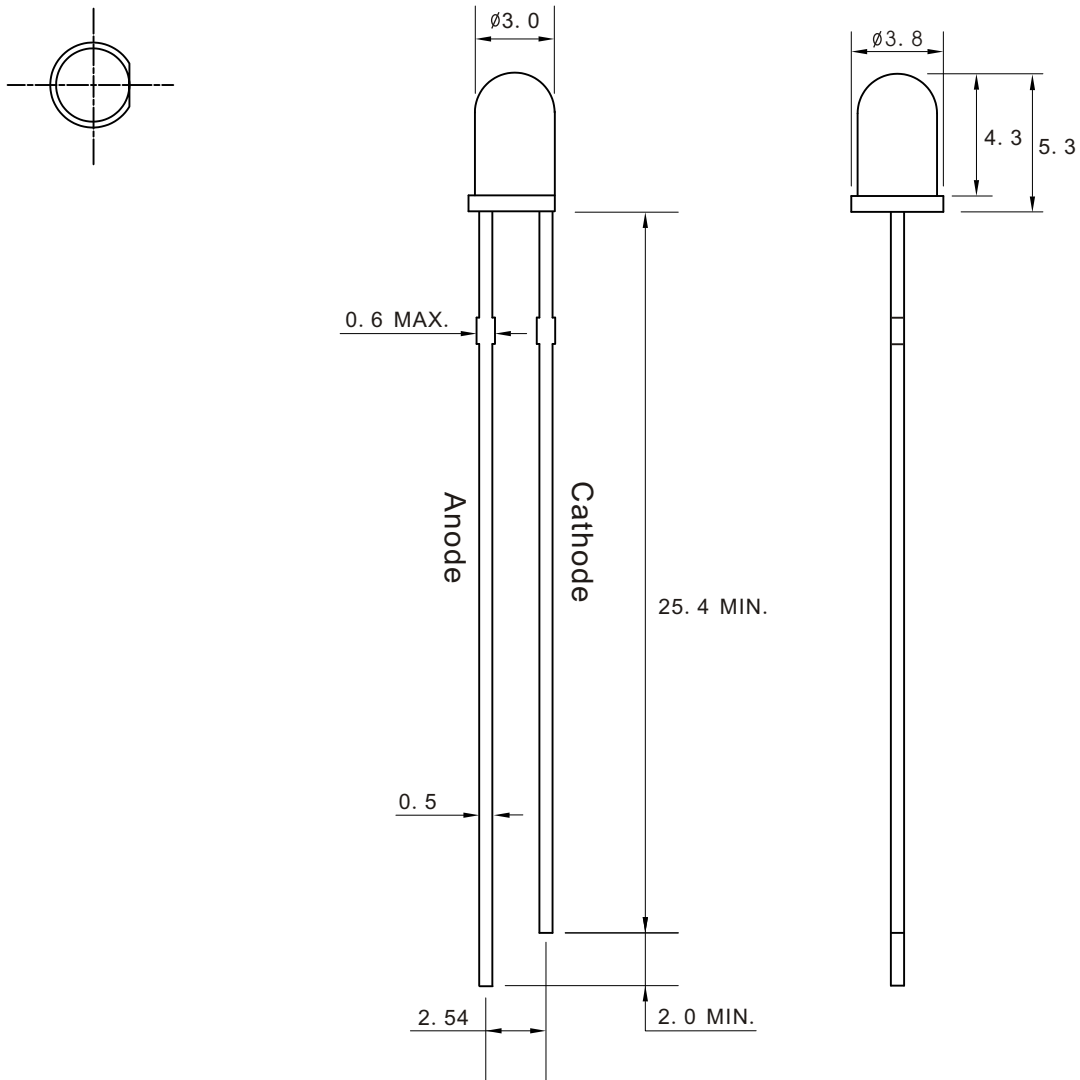


### KTLO30JTI

#### Features

- \* 3.0mm x 5.3mm round LED lamp
- \* Low power requirement
- \* I. C. Compatible
- \* Easy assembly
- \* RoHs compliant
- \* Wide viewing angle
- \* Bicolour version available

Part No.	KTLO30JTI	
Lens	Green Transparent	
Chip	Ram Material	AlGaInP
	Emitted colour	Green



Absolute Maximum Rating: (TA=25°C)

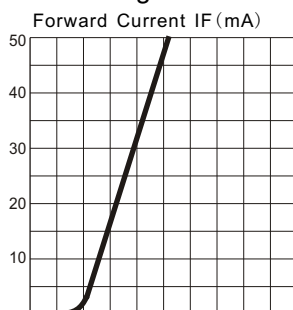
Parameter	Symbol	Maximum Rating	Unit
Peak Forward Current	IFp	70	mA
Forward Current	IF	20	mA
Reverse Voltage	VR	5	V
Power Dissipation	PD	40	mW
Operating Temperature	Topr	-40~+85	°C
Storage Temperature	Tstg	-40~+85	°C
Electrostatic Discharge	ESD	500	V
Soldering Temperature	260°C for 3 seconds		

Lead soldering Temperature (4mm from body) : 260°C for seconds

Optical-Electrical Characteristic: (TA=25°C)

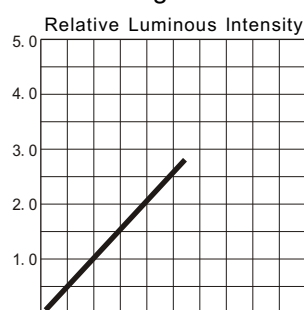
Parameter	Symbol	Condition	Min.	Type	Max.	Unit
Forward Current	VF	IF=20mA	1.7	-	2.4	V
Reverse Current	IR	VR=5V		-	5	uA
Dominant Wavelength	$\lambda_d$	IF=20mA			572	nm
Peak Wavelength	$\lambda_p$	IF=20mA	567	570	572	nm
Luminous Intensity	Iv	IF=20mA	60	-	80	mcd
Viewing Angle	2 $\theta$ 1/2	IF=20mA	-	25	-	Deg

Fig. 1



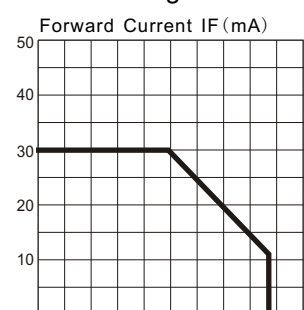
Forward Current VS  
Forward Voltage .

Fig. 2



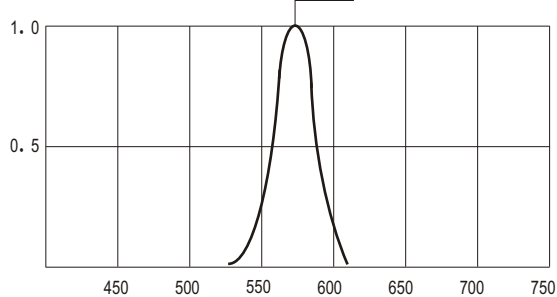
Relative Luminous Intensity  
VS. Forward Current

Fig. 3



Ambient Temperature Ta (°C)  
Temperature Ta (°C)

Fig. 4  
Green



Relative Intensity vs. Wavelength

Fig. 5

