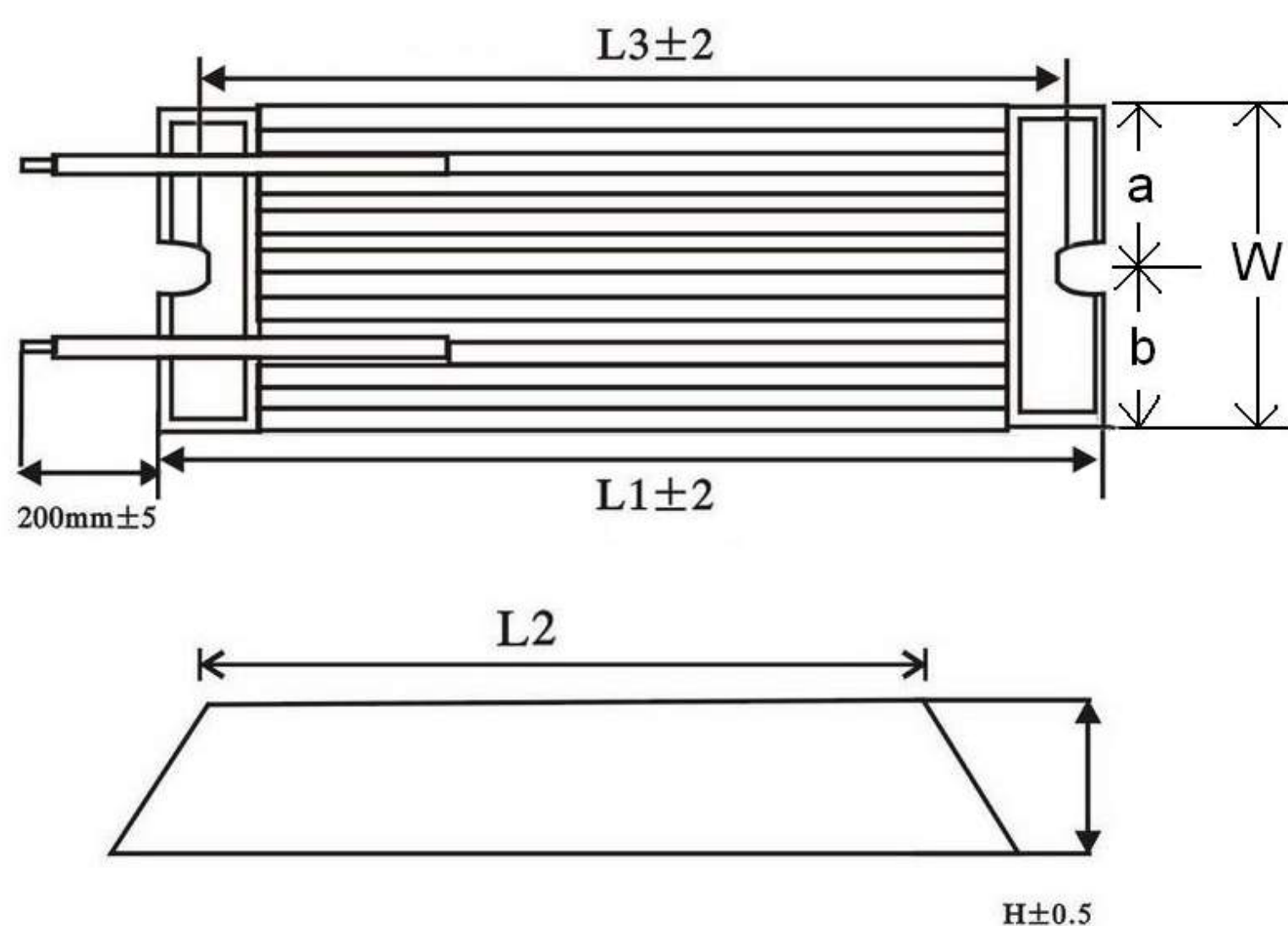




HIGH-POWER METAL-CALD WIREWOUND RESISTOR

INTRODUCTION

An aluminum encased resistor that consists of an alloy metal coil-type resistance element assembled into an aluminum enclosure. Following high temperature anodization, the enclosure is filled with a special non-flammable cement paste and after hardening, insulation is applied through a high temperature process. Since the resistor is embedded in the heat-proof cement, it is not affected by external mechanical force, dusty environments or extreme duty. It is durable and vibration-proof, dissipates heat well, and has a low temperature coefficient, with resistance varying in direct proportion. Supporting a flexible range of applications, the product is easy to utilize and install. Applications include industrial machinery, load testing, electric power distribution, instruments, and automated control installations. For custom specifications, please contact us to discuss the details.



Power (W)	Dimensions (mm)							
	L1	L2	L3	H	D	W	a	b
60W	100	72	88	20	5.5	40	20	20
80W	110	80	98	20	5.5	40	20	20
100W	115	87	103	20	5.5	40	20	20
120W	165	135	153	20	5.5	40	20	20
150W	185	155	173	20	5.5	40	20	20
100W	100	64	89	30	5.5	60	30	30
200W	165	129	147	30	5.5	60	30	30
300W	215	178	196	30	5.5	60	30	30
400W	265	225	253	30	5.5	60	30	30
500W	285	245	273	30	5.5	60	30	30
600W	287	245	270	30	5.5	60	30	30
800W	330	288	318	30	5.5	60	30	30
1000W	360	320	348	30	5.5	60	30	30