



# Integrated Miniaturized Antenna for 838~898 MHz ISM Band Wireless RF Applications

**TCA14A** is an advanced, surface-mount(SMT) integrated antenna for use in various wireless products, ideal for high-sensitivity and low profile design.



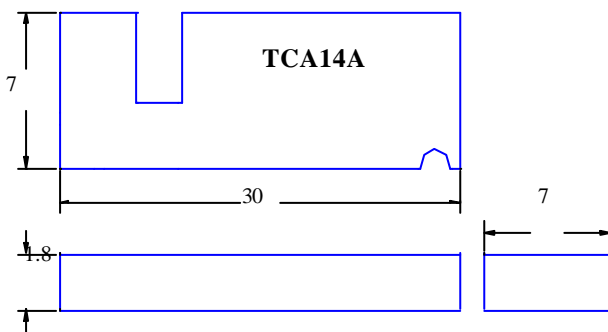
### Features:

- Miniaturized size
- Omni-direction
- Low interference design
- Wide bandwidth
- Light weight
- High gain

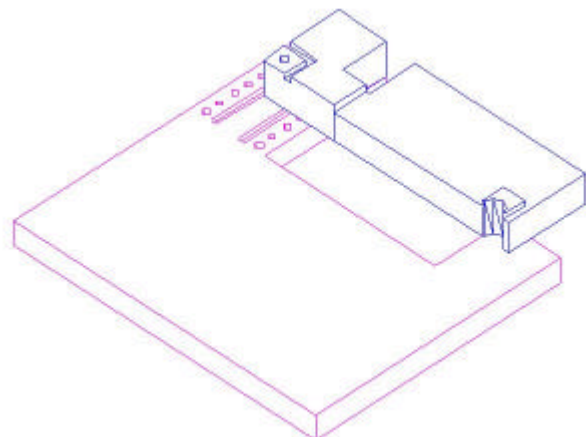
### Specification

- |                    |             |
|--------------------|-------------|
| • Part No.         | TCA14A      |
| • Center Frequency | 868MHz      |
| • Band width       | 60MHz       |
| • Typical Gain     | 1.0dBi      |
| • Operating Temp.  | -20°C~+85°C |
| • Storage Temp.    | -40°C~+85°C |
| • Weight           | 0.8g        |

### Outline of TCA14A(unit:mm)

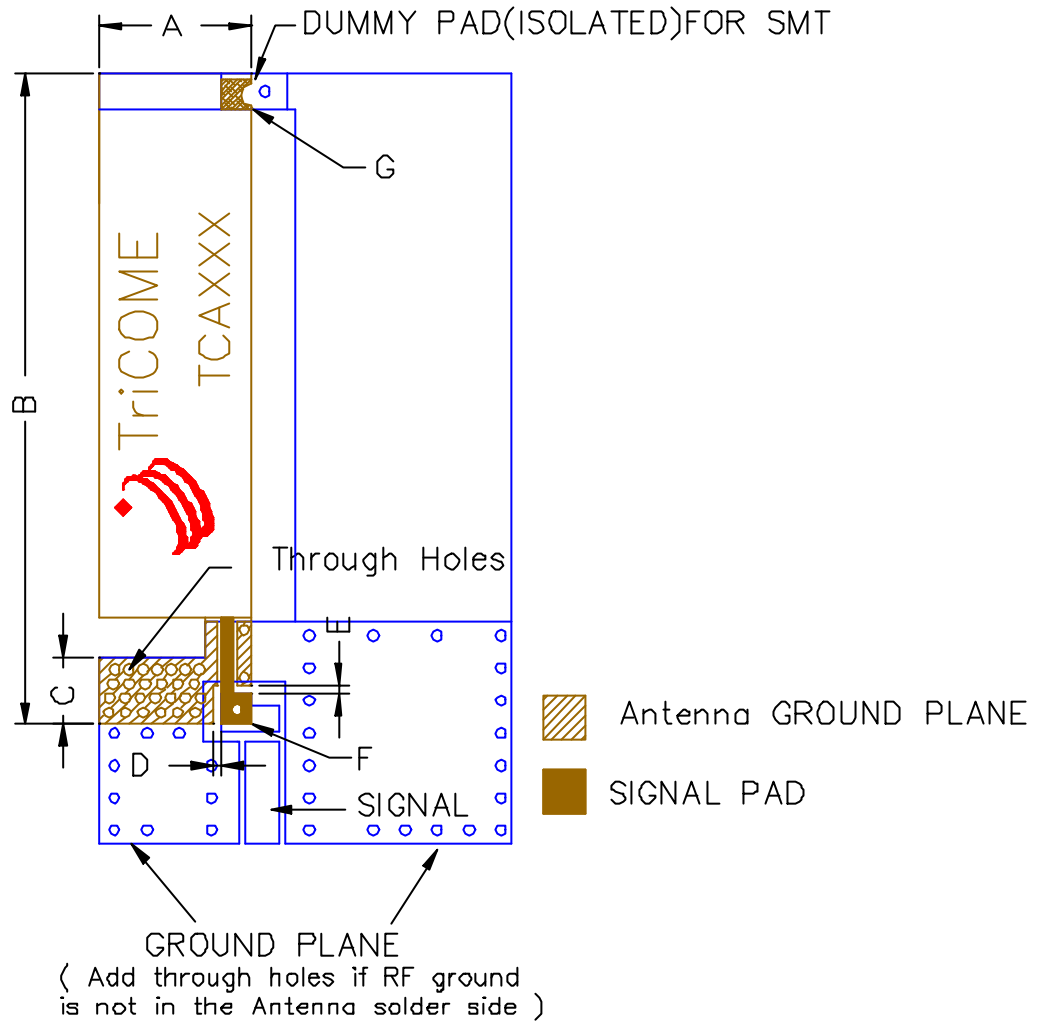


### Typical SMT Installation





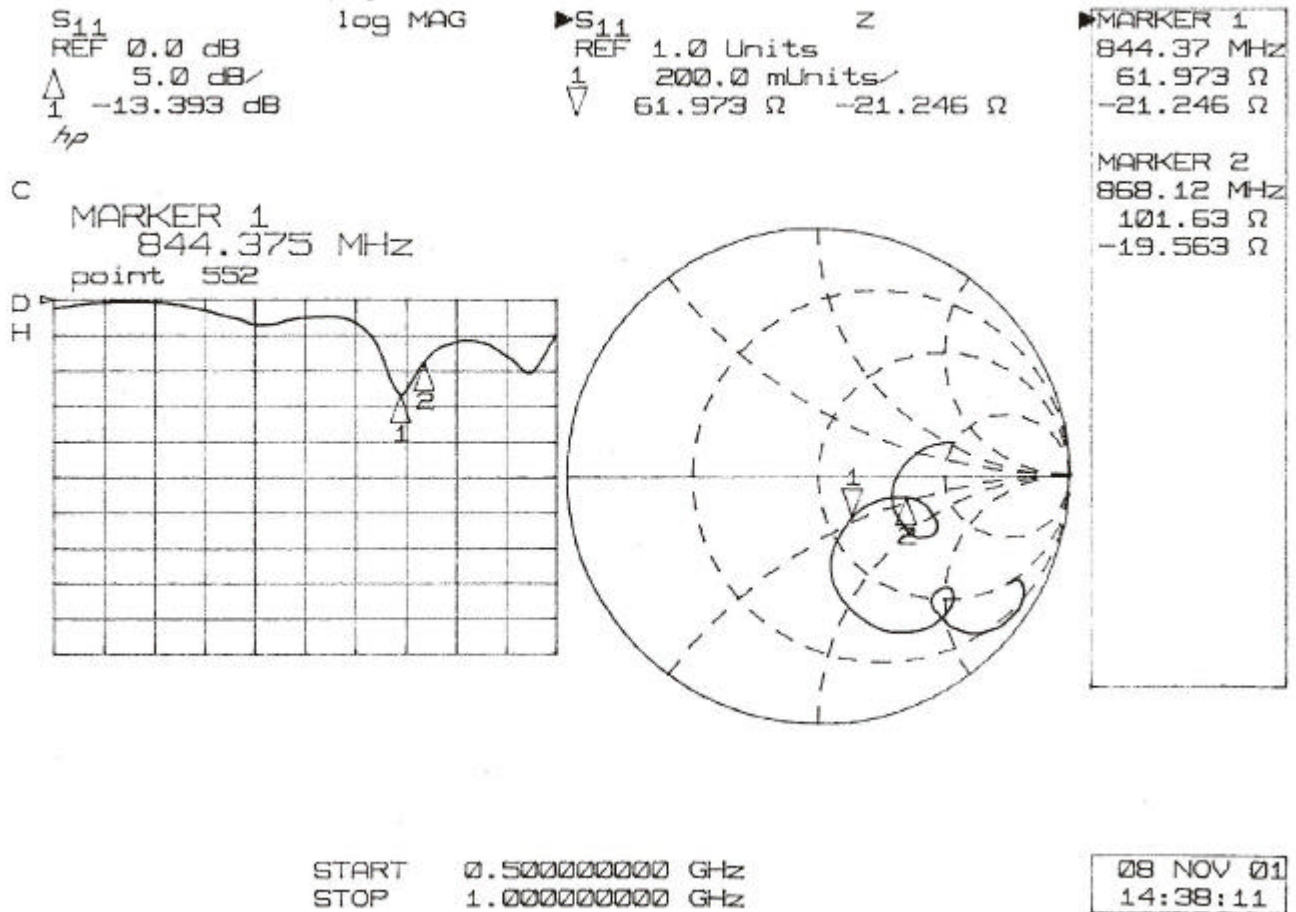
Layout Guide (unit:mm)



|   |           |
|---|-----------|
| A | 7mm       |
| B | 30mm      |
| C | 3.1mm     |
| D | 0.4mm     |
| E | 0.4mm     |
| F | 1.4x1.4mm |
| G | 1.4x1.4mm |



### Input Characteristics



This specification , prepared by TriCOME , is believed to be accurate and reliable . But TriCOME reserves the right to make any change or improvement without further notice.