

80*80*38mm



Maxair™

13 ~ 25 CFM

Specifications

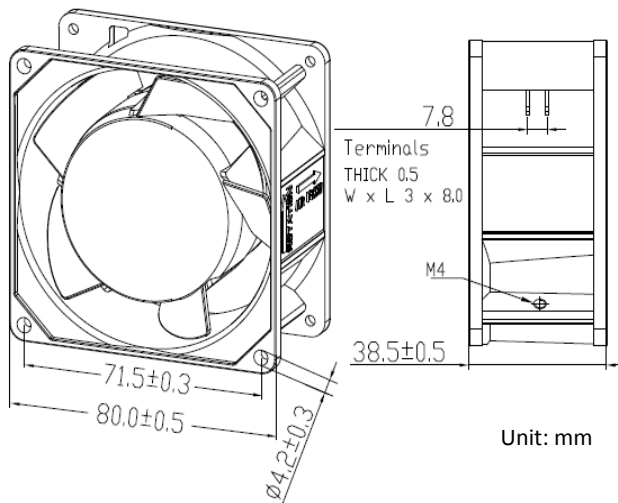
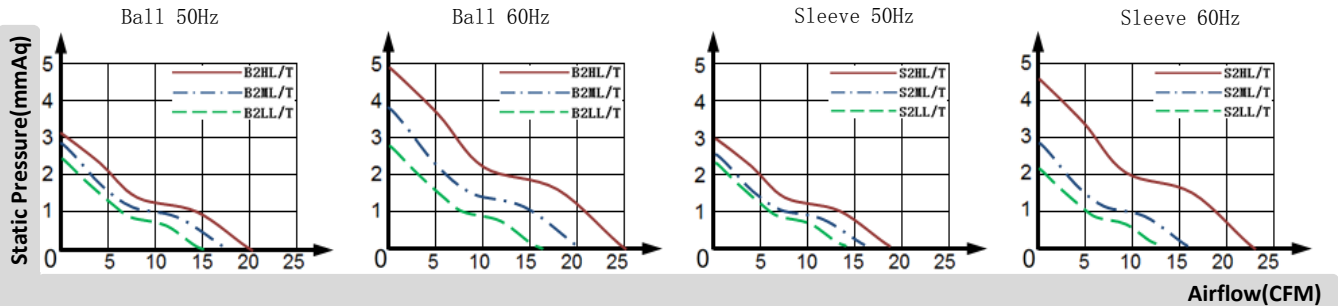
Model	Bearing	Voltage	Frequency	Current	Power	Speed	Air Flow		Static Pressure	Noise
		VAC	Hz	A	W	RPM	CFM	m ³ /min	mm H ₂ O	dB-A
8038B2HL	Ball	220-240	50/60	0.12/0.09	17.2/12	2400/2900	20/25	0.57/0.71	3.1/4.8	34/37
8038B2HT	Ball	220-240	50/60	0.12/0.09	17.2/12	2400/2900	20/25	0.57/0.71	3.1/4.8	34/37
8038B2ML	Ball	220-240	50/60	0.05/0.04	7/5.7	2250/2400	18/20	0.51/0.57	2.8/3.7	32/34
8038B2MT	Ball	220-240	50/60	0.05/0.04	7/5.7	2250/2400	18/20	0.51/0.57	2.8/3.7	32/34
8038B2LL	Ball	220-240	50/60	0.04/0.03	6/5	2100/2150	15/16	0.42/0.45	2.4/2.8	29/30
8038B2LT	Ball	220-240	50/60	0.04/0.03	6/5	2100/2150	15/16	0.42/0.45	2.4/2.8	29/30
8038S2HL	Sleeve	220-240	50/60	0.12/0.09	17.5/12.3	2200/2750	18/23	0.51/0.65	3.0/4.6	32/35
8038S2HT	Sleeve	220-240	50/60	0.12/0.09	17.5/12.3	2200/2750	18/23	0.51/0.65	3.0/4.6	32/35
8038S2ML	Sleeve	220-240	50/60	0.05/0.04	7/5.8	2100/2100	16/16	0.45/0.45	2.5/2.8	29/29
8038S2MT	Sleeve	220-240	50/60	0.05/0.04	7/5.8	2100/2100	16/16	0.45/0.45	2.5/2.8	29/29
8038S2LL	Sleeve	220-240	50/60	0.04/0.03	6/5	1900/1800	14/13	0.40/0.37	2.3/2.1	26/25
8038S2LT	Sleeve	220-240	50/60	0.04/0.03	6/5	1900/1800	14/13	0.40/0.37	2.3/2.1	26/25

All model could be customized.

Safety: UL/TUV/CE/CCC

Specifications are subject to change without notice.

Air Flow-Static Pressure Characteristics



- Frame: Aluminum alloy
- Impeller: PBT Plastic
- Protected: Impedance protected
- Connection: Lead Wire or Terminals
- Ball Bearing: -20 °C to +70 °C
- Sleeve Bearing: -10 °C to +70 °C
- Package: 50PCS/CTN