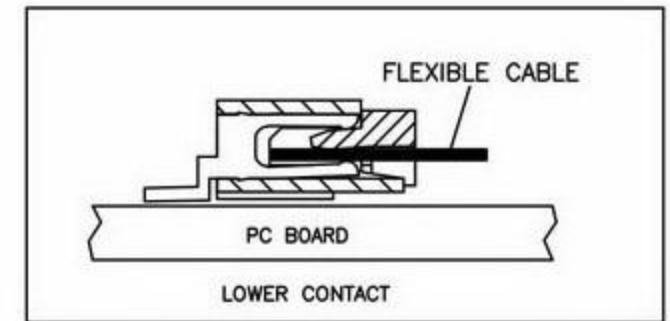
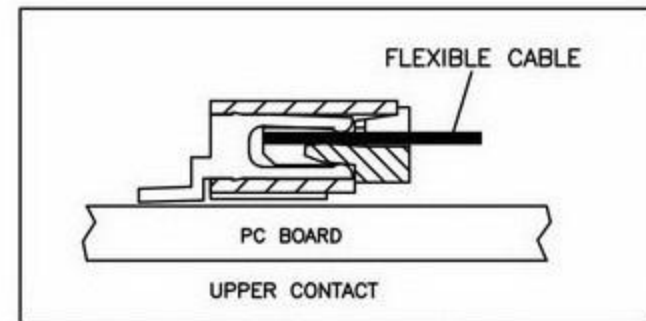
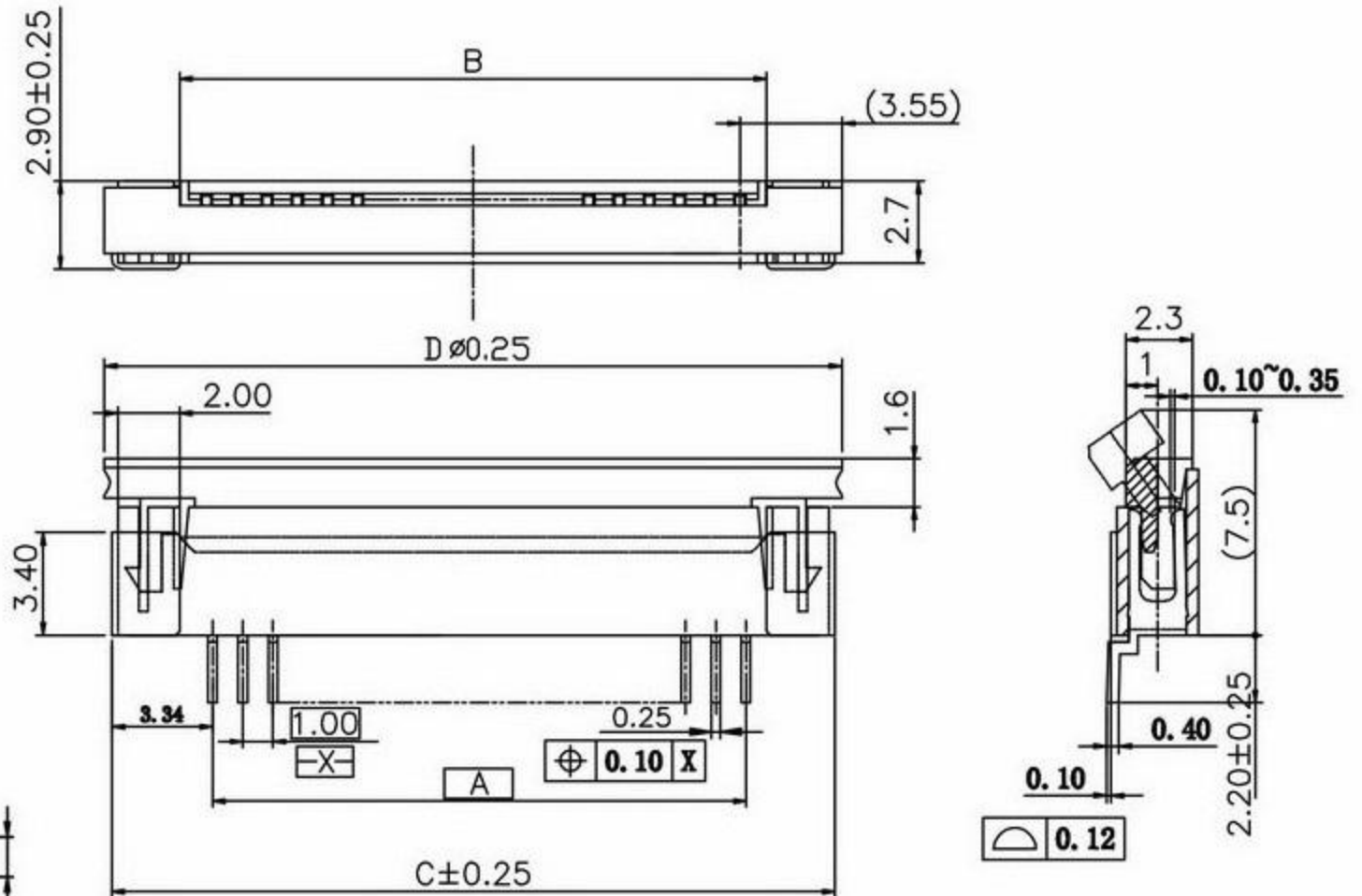
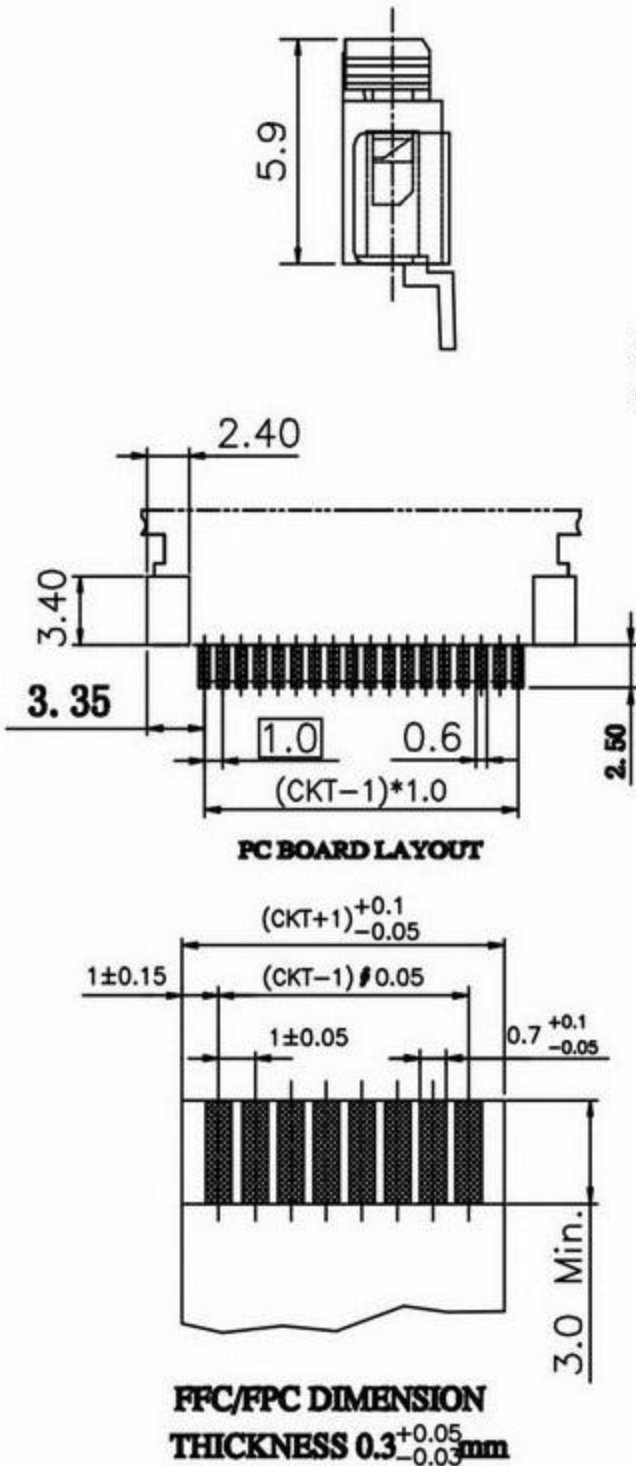


NOTES:

- MATERIALS: HOUSING-LCP UL94V-0 , COVER -LCP UL94V-0
TERMINAL-PHOSPHOR BRONZE, LATCH -PHOSPHOR BRONZE.
- CAMBER: 0.05mm/cm MAX, DEFORMATION: NA,
WARP: 0.05mm/cm MAX, TWIST: NA.

CKT	DIM. A	DIM. B	DIM. C	DIM. D
32	31.00	33.20	37.50	38.10
31	30.00	32.20	36.50	37.10
30	29.00	31.20	35.50	36.10
29	28.00	30.20	34.50	35.10
28	27.00	29.20	33.50	34.10
27	26.00	28.20	32.50	33.10
26	25.00	27.20	31.50	32.10
25	24.00	26.20	30.50	31.10
24	23.00	25.20	29.50	30.10
23	22.00	24.20	28.50	29.10
22	21.00	23.20	27.50	28.10
21	20.00	22.20	26.50	27.10
20	19.00	21.20	25.50	26.10
19	18.00	20.20	24.50	25.10
18	17.00	19.20	23.50	24.10
17	16.00	18.20	22.50	23.10
16	15.00	17.20	21.50	22.10
15	14.00	16.20	20.50	21.10
14	13.00	15.20	19.50	20.10
13	12.00	14.20	18.50	19.10
12	11.00	13.20	17.50	18.10
11	10.00	12.20	16.50	17.10
10	9.00	11.20	15.50	16.10
09	8.00	10.20	14.50	15.10
08	7.00	9.20	13.50	14.10
07	6.00	8.20	12.50	13.10
06	5.00	7.20	11.50	12.10
05	4.00	6.20	10.50	11.10
04	3.00	5.20	9.50	10.10
03	2.00	4.20	8.50	9.10



RoHS
Compliant

APPD. 核准	SCALE 比例 参考	TOLERANCE 容許公差 .0 ± 0.30 .00 ± 0.20 ANG. ± 3°	PART NAME 品名 FPC/FFC ZIF 1.0mm SMT TYPE HORIZONTAL TYPE XXP TIN PLATING IVORY COLOR ROHS
DWG. 製圖 Betty	UNIT 單位 MM	SIZE. 紙張尺寸 A4	PART NO. 料號
DATE 制表日 2015/03/05	PAGE 張數 1 OF 1	REV. 版次 C	