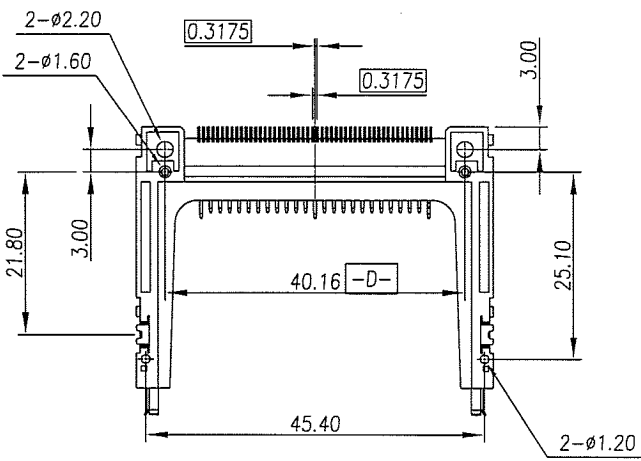


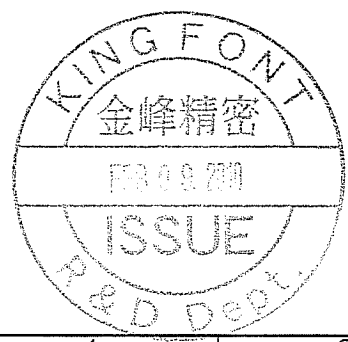
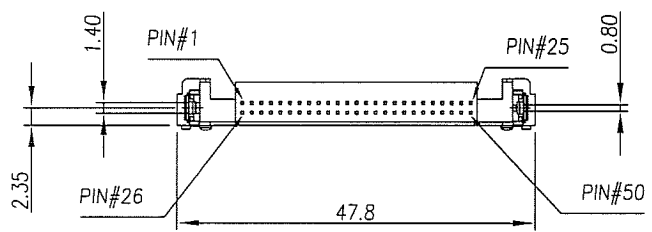
Pin Type	Interface Dim L	Pin Type	REV	MODIFICATION	DATE	DRAW
Detect	3.5 mm	25,26	F	EN-06-0614	2006/06/14	TERENCE
General	4.25 mm	All Other Pins	G	EN-09-1012	2009/10/12	TONY
Power	5.0 mm	1,13,38,50	H	EN-10-0211	2010/02/09	TONY



Ordering Information:

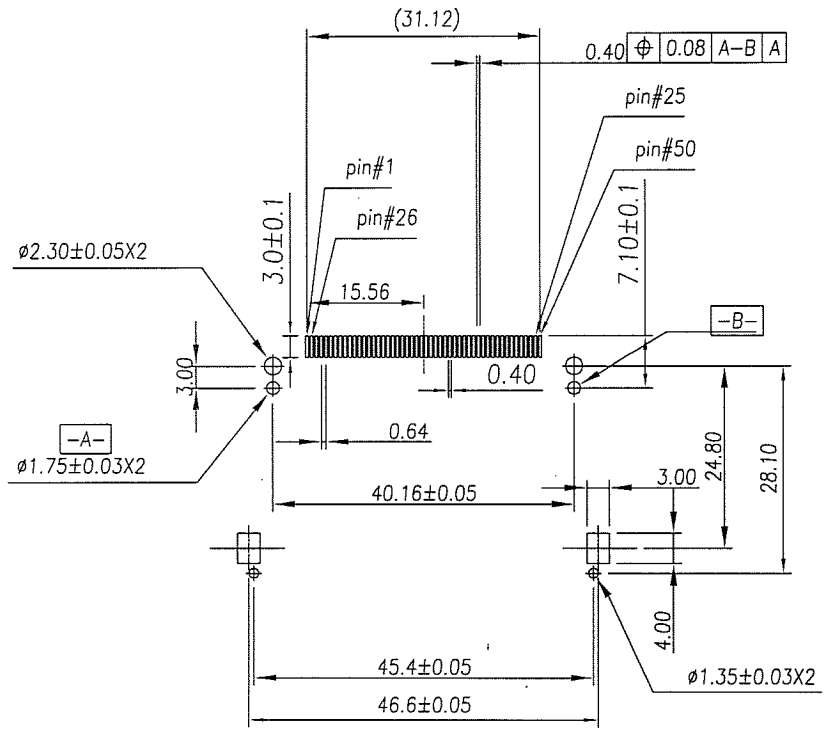
CFC M D - 3 5 T XX W 0 0 0
 Pin No. TYPE 2 Color: W-White.

T : COMPLY TO SONY SS-00259
 Contact Area Plating:
 15-15U" Gold Plating.
 05-05U" Gold Plating.
 01-Gold Flash Plating.
 0 : NORMAL TYPE
 STAND OFF 0 : 0mm

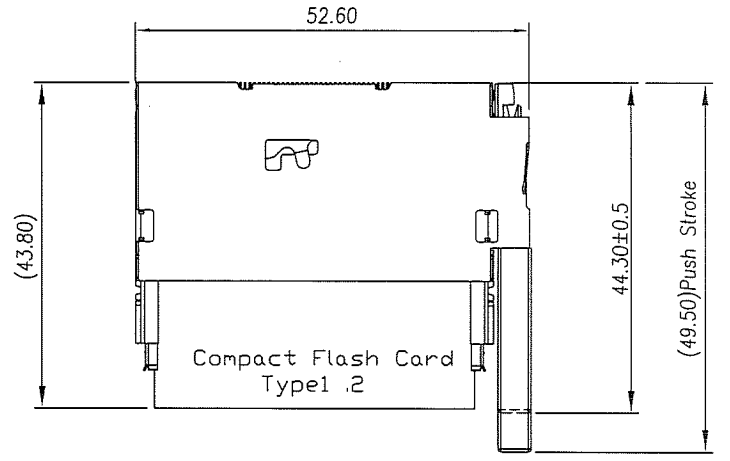


DIMENSION IN mm [Inch]		PROD. SPEC. SP0025	KINGFONT KINGFONT PRECISION INDUSTRIAL CO., LTD.	
TOLERANCE UNLESS OTHERWISE SPECIFIED		PKG. SPEC. PPP-CFC-005	TITLE CF TYPE2 ,50PIN SMT NORMAL TYPE	CUSTOMER DRAWING
.X±0.30	X:± 1'	APPROVE <i>Gomy</i>	FILE NO. KFP-025	DWG NO. CFCMD-35TXXW000
.XX±0.20	.X'± 0.5'	CHECK <i>JXD</i>	SIZE A4	PROJ. SHEET 1 / 2
.XXX±0.10	.XX'± 0.25'	DRAW <i>Fony</i>	SCALE 1:1	REV H

REV	MODIFICATION	DATE	DRAW
F	EN-06-0614	2006/06/14	TERENCE
G	EN-09-1012	2009/10/12	TONY
H	EN-10-0211	2010/02/09	TONY



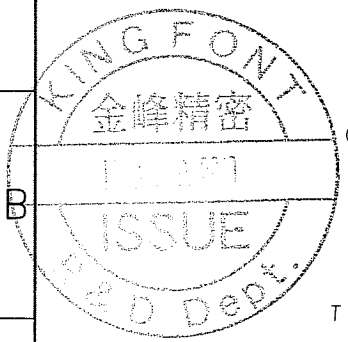
P.C.B Layout



Header With Ejector

SPECIFICATIONS:

- HOUSING : High Temperature Plastic, UL 94V-0
- CONTACT : Copper Alloys
- VOLTAGE RATING : 100VAC
- CURRENT RATING : 0.5A
- CONTACT RESISTANCE: 40 m Ohm max.
- INSULATION RESISTANCE: 1000M Ohm min.
- DIELECTRIC STRENGTH : 500VAC/1min
- OPERATION TEMPERATURE : -40°C~85°C



Ordering Information:

CFC M D - 3 5 T XX W 0 0 0

TYPE 2 Pin No.

T : COMPLY TO SONY SS-00259

Contact Area Plating:
 15-15U" Gold Plating.
 05-05U" Gold Plating.
 01-Gold Flash Plating.

Color: W-White.

0 : NORMAL TYPE

STAND OFF 0 : 0mm

DIMENSION IN mm [Inch]		PROD. SPEC. SP0025	KINGFONT PRECISION INDUSTRIAL CO., LTD.	
TOLERANCE UNLESS OTHERWISE SPECIFIED		PKG. SPEC. PPP-CFC-005	TITLE CF TYPE2 ,50PIN SMT NORMAL TYPE	CUSTOMER DRAWING
.X±0.30	X'± 1"	APPROVE <i>Gerry</i>	FILE NO. KFP-025	DWG NO. CFCMD-35TXXW000
.XX±0.20	.X'± 0.5"	CHECK <i>305</i>	SIZE A4	PROJ. SHEET 2 / 2
.XXX±0.10	.XX'± 0.25"	DRAW <i>Fony</i>	SCALE 1:1	REV H