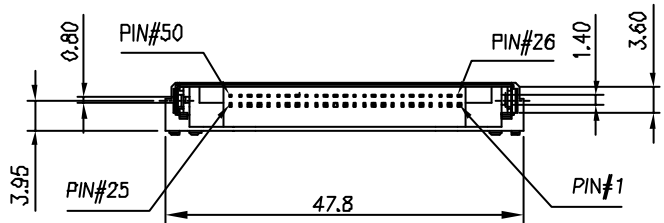
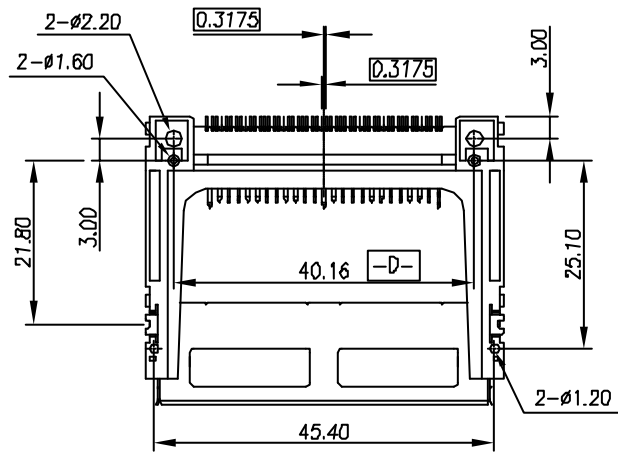
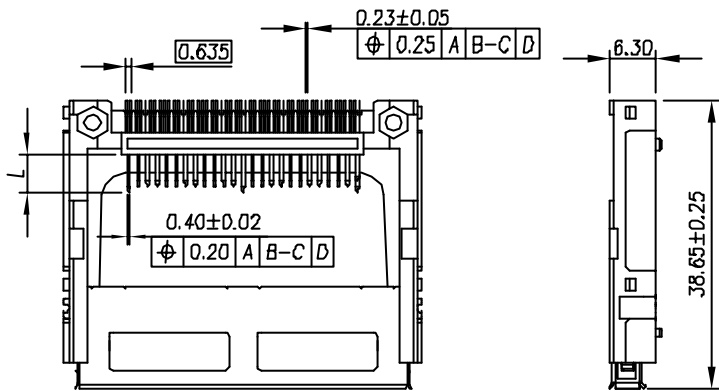
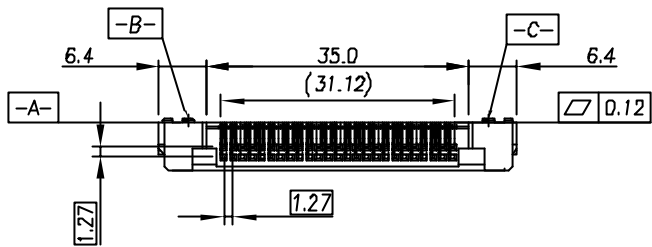
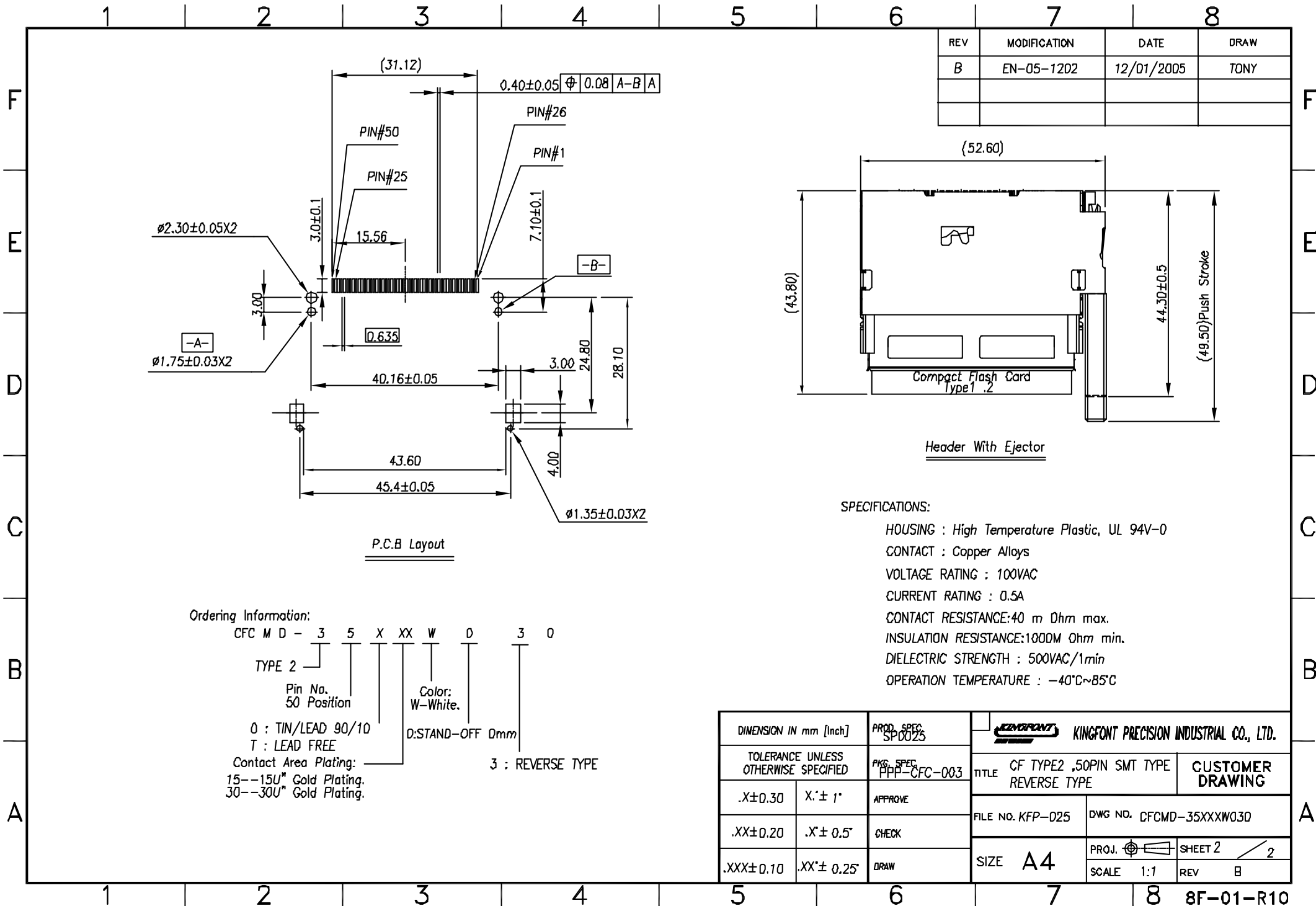


Pin Type	Interface Dim L	Pin Type	REV	MODIFICATION	DATE	DRAW
Detect	3.5 mm	25,26	B	EN-05-1202	12/01/2005	TONY
General	4.25 mm	All Other Pins				
Power	5.0 mm	1,13,38,50				



DIMENSION IN mm [Inch]		PROD. SPEC SP0025	KINGFONT PRECISION INDUSTRIAL CO., LTD.	
TOLERANCE UNLESS OTHERWISE SPECIFIED		PKG. SPEC PPP-CFC-003	TITLE CF TYPE2 ,50PIN SMT TYPE REVERSE TYPE	CUSTOMER DRAWING
.X±0.30	X'±1"	APPROVE	FILE NO. KFP-D25	DWG NO. CFCMD-35XXXW030
.XX±0.20	.X'±0.5"	CHECK	SIZE A4	PROJ. SHEET 1 / 2
.XXX±0.10	.XX'±0.25"	DRAW	SCALE 1:1	REV B



REV	MODIFICATION	DATE	DRAW
B	EN-05-1202	12/01/2005	TONY

P.C.B Layout

Header With Ejector

SPECIFICATIONS:
 HOUSING : High Temperature Plastic, UL 94V-0
 CONTACT : Copper Alloys
 VOLTAGE RATING : 100VAC
 CURRENT RATING : 0.5A
 CONTACT RESISTANCE:40 m Ohm max.
 INSULATION RESISTANCE:1000M Ohm min.
 DIELECTRIC STRENGTH : 500VAC/1min
 OPERATION TEMPERATURE : -40°C~85°C

Ordering Information:
 CFC M D - 3 5 X XX W D 3 0
 TYPE 2
 Pin No. 50 Position
 Color: W-White.
 D:STAND-OFF Dmm
 0 : TIN/LEAD 90/10
 T : LEAD FREE
 Contact Area Plating:
 15--15U" Gold Plating.
 30--30U" Gold Plating.
 3 : REVERSE TYPE

DIMENSION IN mm [Inch]		PROD. SPEC SP0025	KINGFONT PRECISION INDUSTRIAL CO., LTD.	
TOLERANCE UNLESS OTHERWISE SPECIFIED		PKG. SPEC PPP-CFC-003	TITLE CF TYPE2 ,50PIN SMT TYPE REVERSE TYPE	CUSTOMER DRAWING
.X±0.30	.X'± 1"	APPROVE	FILE NO. KFP-D25	DWG NO. CFCMD-35XXXW030
.XX±0.20	.X'± 0.5"	CHECK	PROJ. SHEET 2 / 2	SCALE 1:1
.XXX±0.10	.XX'± 0.25"	DRAW	SIZE A4	REV B