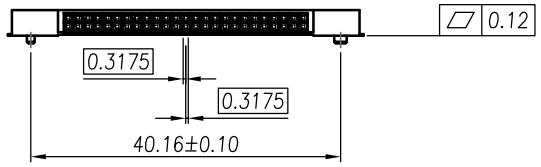
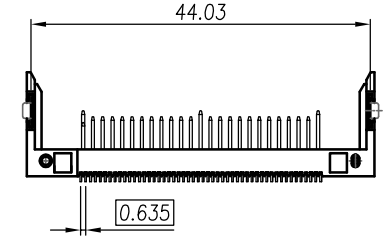
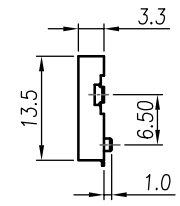
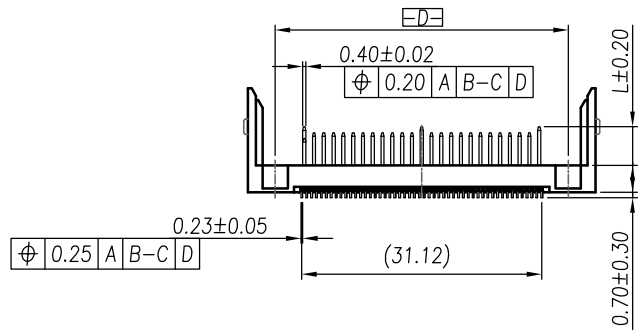
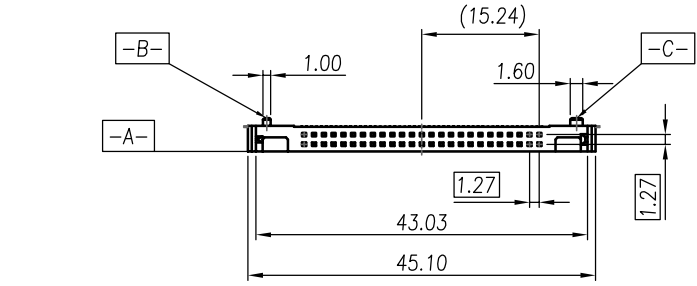


1 2 3 4 5 6 7 8

Pin Type	DIM L	Pin Type	REV	MODIFICATION	DATE	DRAW
Detect	3.5 mm	25,26	B	EN-03-1019	10/30/2003	TONY
General	4.25 mm	All Other Pins	C	EN-06-1212	95/12/20	TERENCE
Power	5.0 mm	1,13,38,50				

F  
E  
D  
C  
B  
A

F  
E  
D  
C  
B  
A

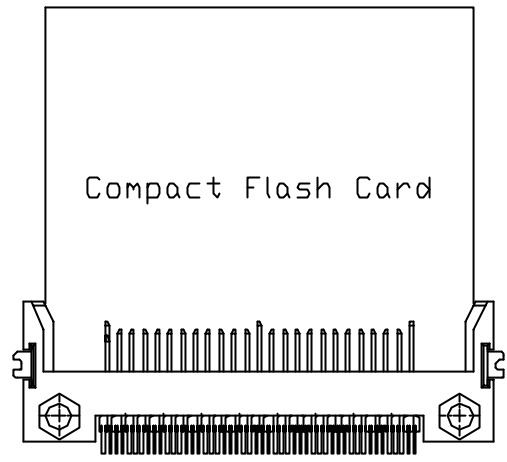


DIMENSION IN mm [Inch]		PROD. SPEC. SP0057	KINGFONT PRECISION INDUSTRIAL CO., LTD.	
TOLERANCE UNLESS OTHERWISE SPECIFIED		PKG. SPEC. PPP-CFC-001	TITLE CF CARD CONN. TYPE2 ,SLIM NORMAL TYPE	CUSTOMER DRAWING
.X±0.30	X.*± 1'	APPROVE	FILE NO. KFP-057	DWG NO. CFCMD-75TXXB000
.XX±0.20	.X.*± 0.5'	CHECK	SIZE A4	PROJ.  SHEET 1 / 2
.XXX±0.10	.XX.*± 0.25'	DRAW	SCALE 1:1	REV C

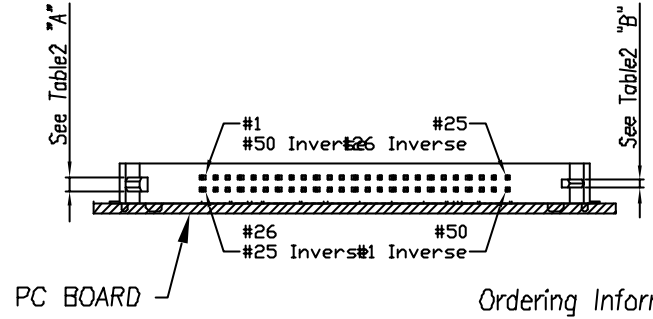
1 2 3 4 5 6 7 8

1 2 3 4 5 6 7 8

REV	MODIFICATION	DATE	DRAW



CARD INSERTION



PC BOARD

Ordering Information:

CFZ M D - 7 5 T XX W X 0 0

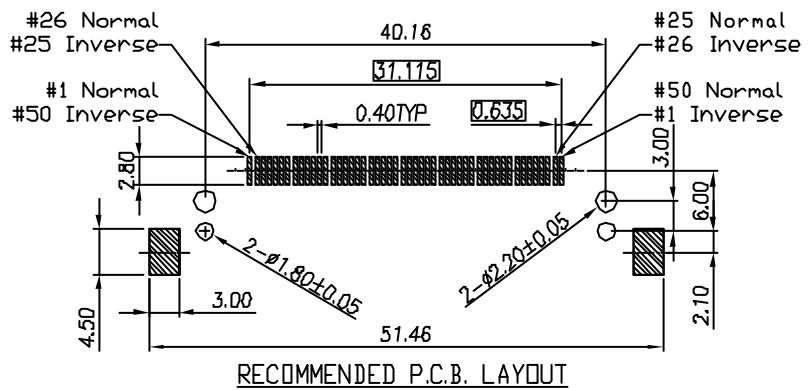
Pin No.  
50 Position

Color:  
W-White.

T : LEAD FREE TIN 100%

3:Normal  
4:Reverse

Contact Area Plating:  
01--G/F Gold Plating.  
05--5u" Gold Plating.  
15--15u" Gold Plating.



RECOMMENDED P.C.B. LAYOUT

MATERIAL  
HOUSING: HIGH TEMPERATURE THERMOPLASTIC.  
CONTACT: COPPER ALLOY.  
PED: BRASS.

PLATING  
CONTACT: UNDERPLATED 50 u" MIN Ni.  
CONTACT AREA: SELECTED GOLD OVER Ni PLATED.  
SOLDER TAIL: 100 u" MIN Sn/Pb OVER Ni PLATED.  
PED: 100 u" MIN Sn/Pb OVER 50 u" MIN Ni PLATED.

DIMENSION IN mm [Inch]		PROD. SPEC.	KINGFONT PRECISION INDUSTRIAL CO., LTD.	
TOLERANCE UNLESS OTHERWISE SPECIFIED		PKG. SPEC.	TITLE CF CARD CONN. SLIM TYPE	
.X±0.30 X'± 1"		APPROVE	CUSTOMER DRAWING	
.XX±0.20 .X'± 0.5"		CHECK	FILE NO.	DWG NO. CFZMD-75TXXWX00
.XXX±0.10 .XX'± 0.25"		DRAW	SIZE A4	PROJ.  SHEET 2 / 2
			SCALE 1:1	REV A

1 2 3 4 5 6 7 8 8F-01-R10