

## Motion detector - talis MW 240-16-1

Item No 18.06.0003.1 / EAN Code 4010940043964



### PRODUCT DESCRIPTION

The talis MW 240-16-1 outdoor motion detectors function according to the principle of passive infra-red sensors (PIR sensor) like all motion detectors from Grässlin. They react to temperature changes within their detection range, for example, people passing by, and turn on the connected load for a set period of time, depending on the set light value. Three knobs at the bottom allow for easy setting of the parameters detection area, switching time and light value. The talis MW 240-16-1 also has a pivoting and rotating head and provides a standard corner adapter. Other useful functions are an alternating holiday program and a visual LED display of detections in monitor mode.

- ▶ Surface mounting for easy and quick installation
- ▶ Increased weathering resistance for outdoor applications
- ▶ Ensuring the defined power-on time by one-time light balancing with detection

### APPLICATIONS

- ▶ Light control (internal / external) for driveways
- ▶ Stairwells
- ▶ Building entrances and corridors
- ▶ Reception areas and cellar rooms



### TECHNICAL DATA

#### Electrical Data

Supply voltage	AC 230 V ± 10% 50-60 Hz
Load incandescent bulb	2.300 W
Load halogen lamp	1.000 W (AC)
	1,000 VA / 600 W (LV conventional)
	1,000 VA / 900 W (LV electronic)
Load fluorescent lamps	900 VA (compensated)
	1.000 VA (not compensated)
	600 W (not compensated)
Load energy-saving bulbs	400 W
	600 VA
	CFL und PLL
Load LED lamp	400 W
Power consumption	1 VA (in standby mode)
Parallel switching	Max. 6 sensors

#### Communication method

Wired	2-wire
-------	--------

#### Operating specifications

Operating mode	Learning function
	Test mode

#### Display and format

Angle of detection	240°
Photosensitivity	5 lux - infinity
Range	16 m (At an installation height of 2.5 m, at 20 - 25 °C)
Time setting	approx. 5 seconds - 30 minutes

#### Operating conditions

Temperature (operation)	-20 °C ... +50 °C
-------------------------	-------------------

#### General specifications

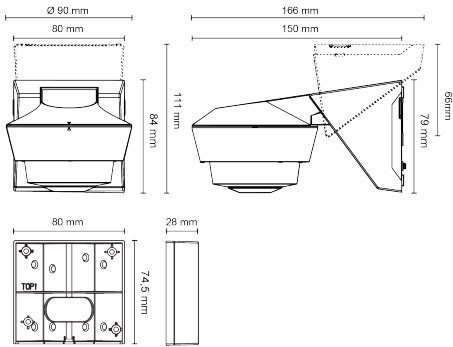
Scope of application	Inside/outside
----------------------	----------------

Dimension	111 x 90 x 166 mm (H x B x T)
Mounting	Surface mounted
Sensor	Passive infra-red (PIR)

**Compliance with standards**

Protection type	IP55
Protection class	II, according to corresponding mounting

**DIMENSIONAL DRAWINGS**



**CIRCUIT DIAGRAMS**

