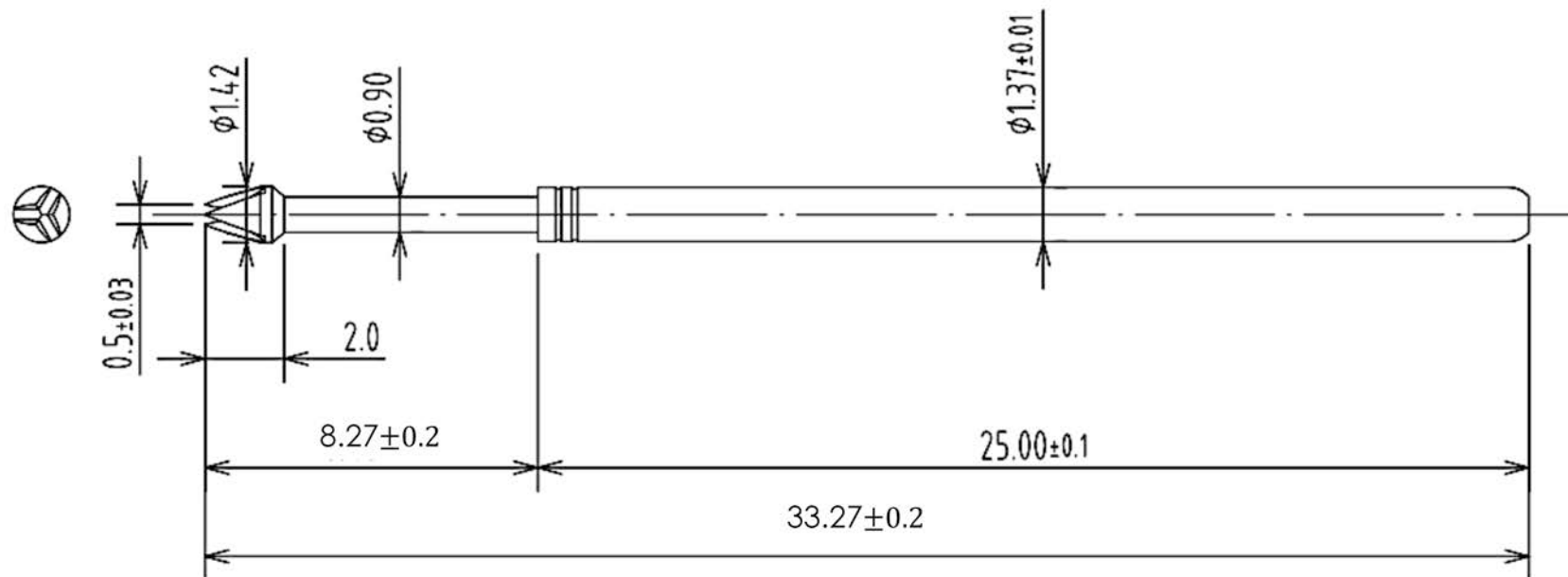


REVISIONS			
NO.	DATE	DESCRIPTION	APPROVE

**Mechanical**

- Mechanical Life: 200K
- Operating Temp: -40°C ~ 150°C



**Electrical Characteristics**

- Current Capacity: 5A Continuous
- DC Resistance: <50mΩ (AVG)

NO.	PRODUCT	MATERIAL	PLATING	HARDNESS	REMARK	TOLERANCE	Unit	Scale	Spring Force[±20%]	Part Name
5						DECIMALS	mm	60:1	Maximum	IT100-N
4						X.X ±0.1			6.35(mm)	
3	SPRING	SUS	-			X.XX ±0.05		Date	Maximum	File No
2	BARREL	PhBr	Au			X.XXX ±0.02		2015/05/22	(gf)	
1	PLUNGER	SK4	Au			ANGLES		Design	Work.Stroke	
						0 ±3°		Max	4.0(mm)	
						0.0 ±1°		Max	200(gf)	
								Approved	(gf)	
								Cherry	Initial	

