



Specification

Client Name: _____

Client P/N: _____

Wenrun P/N: WR-EM3232NW-350C-6L30

Date: _____

Customer confirm	Approved by	Checked by	Issued by
	朱忠才	仁素娟	罗晏来

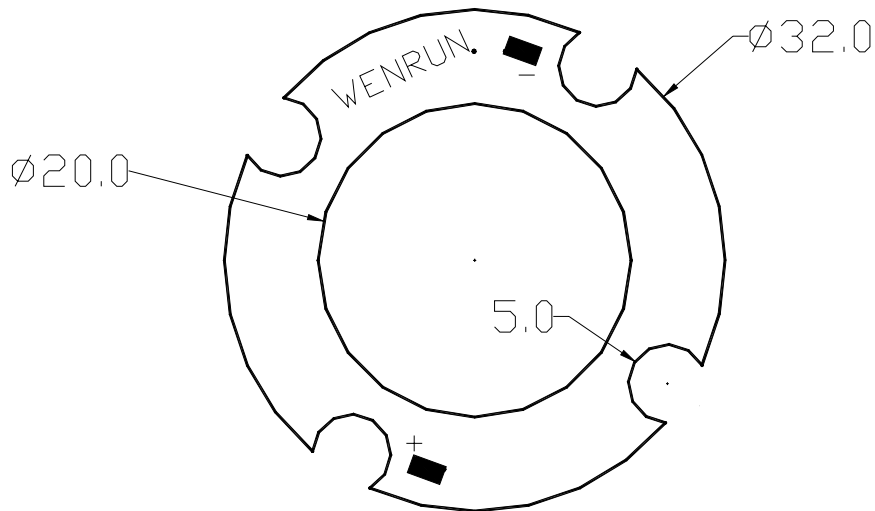
◆ Features:

- ◆ High Luminous Efficacy 3W White LED
- ◆ Dimension: 32mm×32mm×1.0mm
- ◆ Viewing angle: 120 deg
- ◆ The InGaAlN inside
- ◆ Low thermal resistance
- ◆ Lead(Pb) free and RoHS compliant
- ◆ Driver currents: 350mA
- ◆ Available in white (3800 to 5000K CCT)
- ◆ Lumen maintenance of great than 70% after 20,000 hours

◆ Applications

- ◆ Automotive lighting
- ◆ General lighting
- ◆ Indoor and outdoor architectural lighting
- ◆ Signage and channel letter

◆ Package outline



Notes:

1. All dimensions are in millimeters.
2. All tolerance is ± 0.20 mm unless otherwise noted.



◆ Absolute Maximum Rating

Parameter	Symbol	Value	Units
DC Forward Current	I_F	350	mA
Junction Temperature	T_J	120	°C
Storage Temperature	Tstg	-40~+ 85	°C
Operating Case Temperature	Topr	-40~+ 55	°C
Soldering Temperature	Tsol	260	°C

Notes:

1. Proper current derating must be observed to maintain junction temperature below the maximum.
2. LEDs are not designed to be driven in reverse bias.

◆ Characteristics @ $T_c=25^\circ\text{C}$

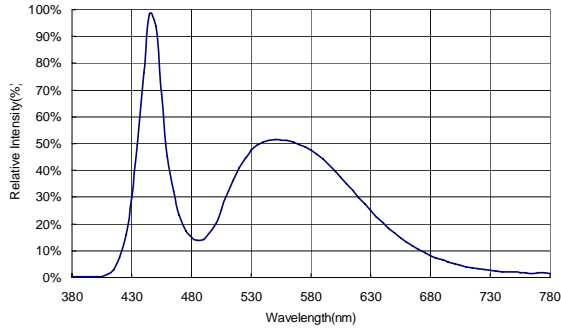
Parameter	Symbol	Min.	Typ.	Max.	Units
Viewing Angle	$2\theta_{1/2}$	---	120	---	Degree
Luminous Flux(@350mA)	Φ	200	---	300	lm
Forward Voltage(@350 mA)	V_F	--	8	--	V
Correlated Color Temperature	CCT	3800	---	5000	K
Chromaticity Coordinates	X	---	0.35	---	---
	Y	---	0.35	---	---

Notes:

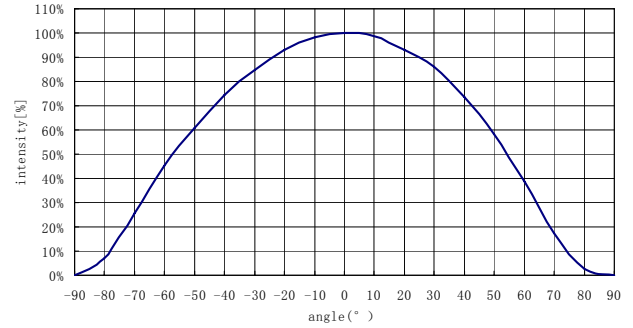
1. Proper current derating must be observed to maintain junction temperature below the maximum.
2. LEDs are not designed to be driven in reverse bias.
3. Luminous flux maintains a tolerance of $\pm 10\%$ on flux measurements.
4. Forward voltage maintains a tolerance of $\pm 0.1\text{V}$ on forward voltage measurements.
5. CCT $\pm 5\%$ tester tolerance.

◆ Typical Electro-Optical Characteristics Curves

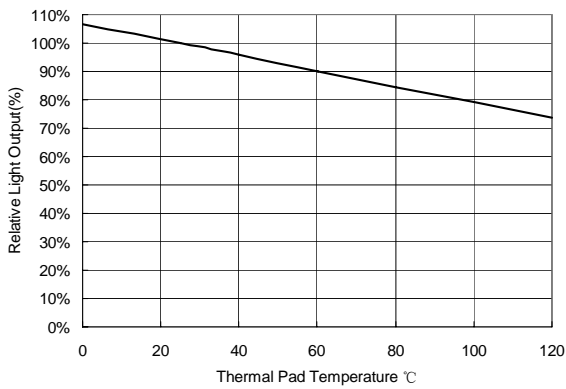
Relative Spectral Power Distribution @ Tc=25°C



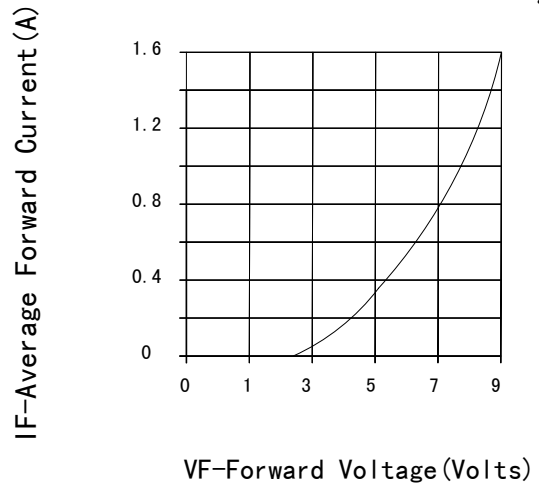
Typical Spatial Radiation Pattern @ Tc=25°C



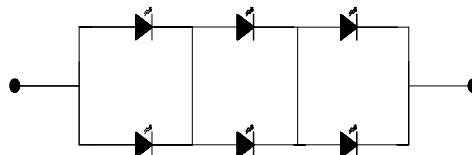
Typical Light Output over Temperature



Forward Current & Forward Voltage



3W Circuit Layout





◆ Notes:

- 1、Above specification may be changed without notice. We will reserve authority on material change for above specification.
- 2、When using this product, please observe the absolute maximum ratings and the instructions for the specification sheets. We assume no responsibility for any damage resulting from use of the product which does not comply with the instructions included in the specification sheets.