

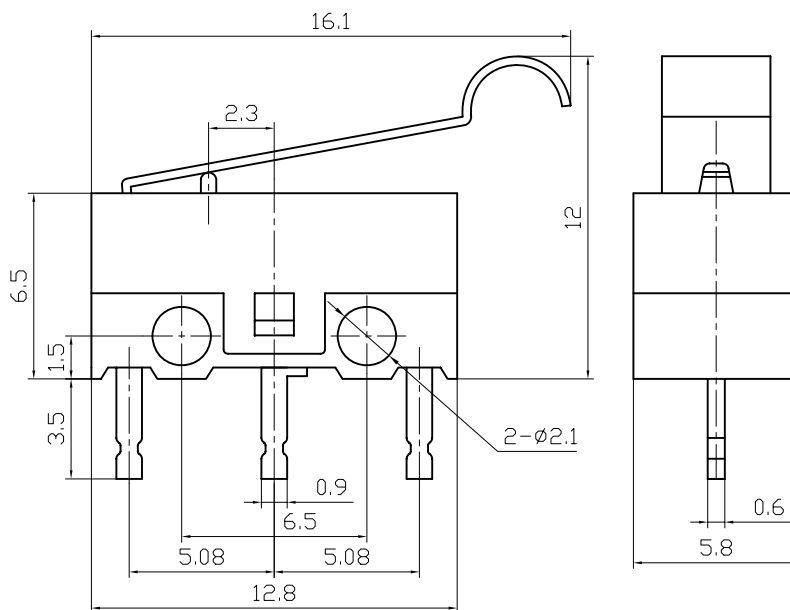
# Micro Switches

(TYPE): MSW-24

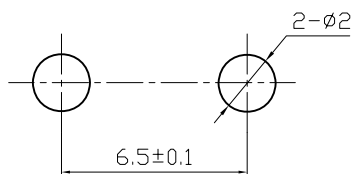
## (Specification)

1. (Rating): 1A 125/250V AC
2. (Contact R): 30mΩ max
3. (Insulation R): 250V DC 100MΩ min
4. (Dielectric Strength): 1 Minute 1000V AC
5. (Ambient Temperature): -25°C ~ +65°C
6. (Electrical Life): 30,000 Cycles

## (Outline Drawing)



## (Mounting)



## (Circuitry)

