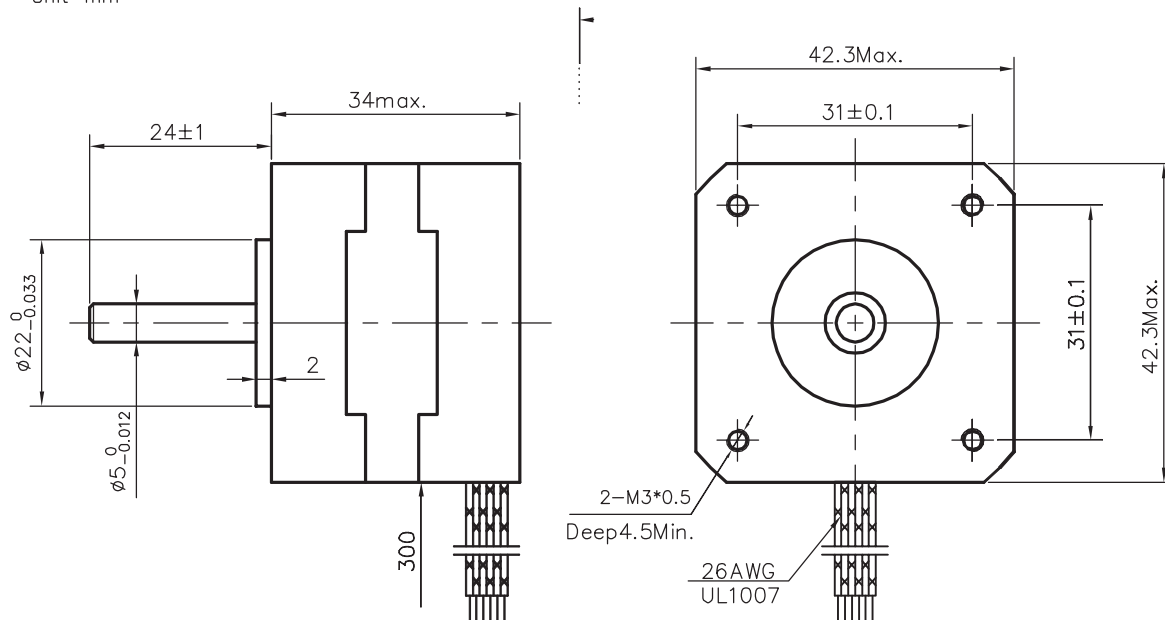


Dimension:
Unit=mm



Specifications:

Phase	2		Comment
Step Angle	0.9	deg.	
Voltage	2.79	V	
Current	1.33	A	
Resistance	2.1	Ω	
Inductance	4.2	mH	
Holding Torque	2.2	kg.cm	
Insulation Class	B		
Mass	0.22	kg	

Wiring Diagram:

