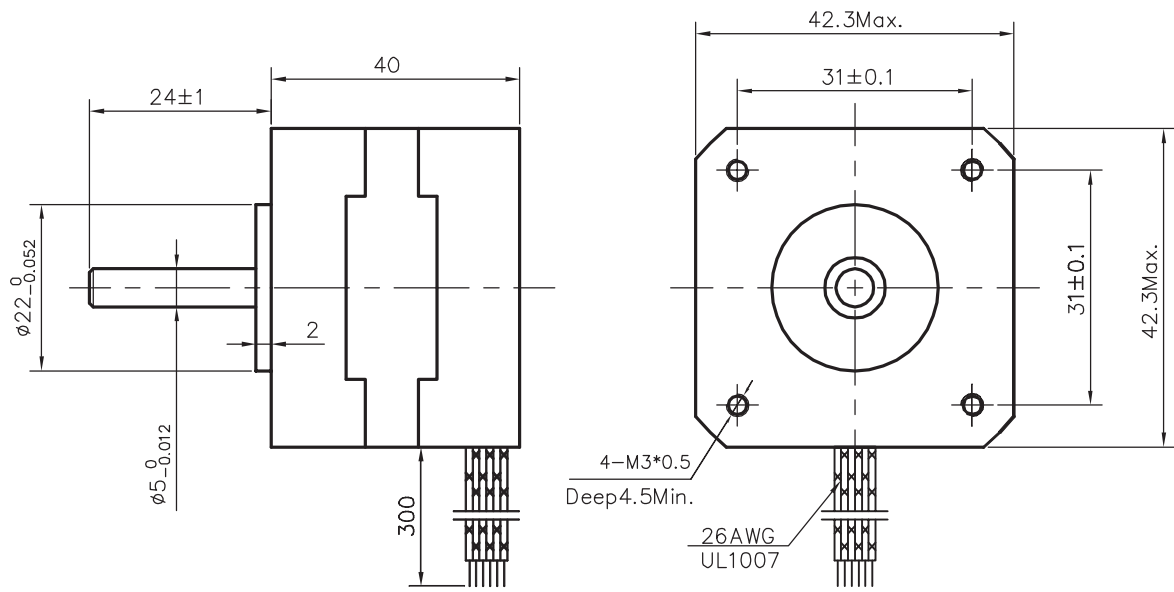


Dimension:
Unit=mm



Specifications:

| Phase | 2 | | Comment |
|------------------|------|----------|---------|
| Step Angle | 0.9 | deg. | |
| Voltage | 3.0 | V | |
| Current | 1.68 | A | |
| Resistance | 1.8 | Ω | |
| Inductance | 4.1 | mH | |
| Holding Torque | 3.3 | kg.cm | |
| Insulation Class | B | | |
| Mass | 0.28 | kg | |

Wiring Diagram:

