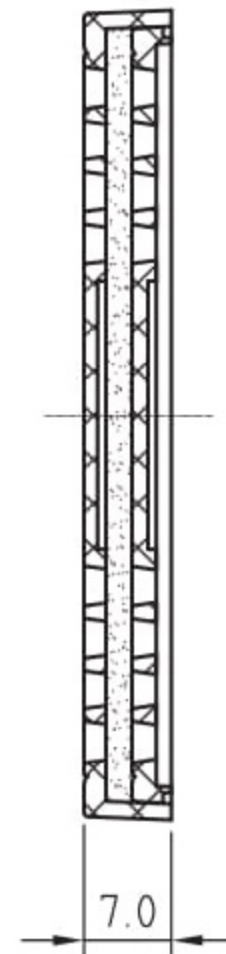
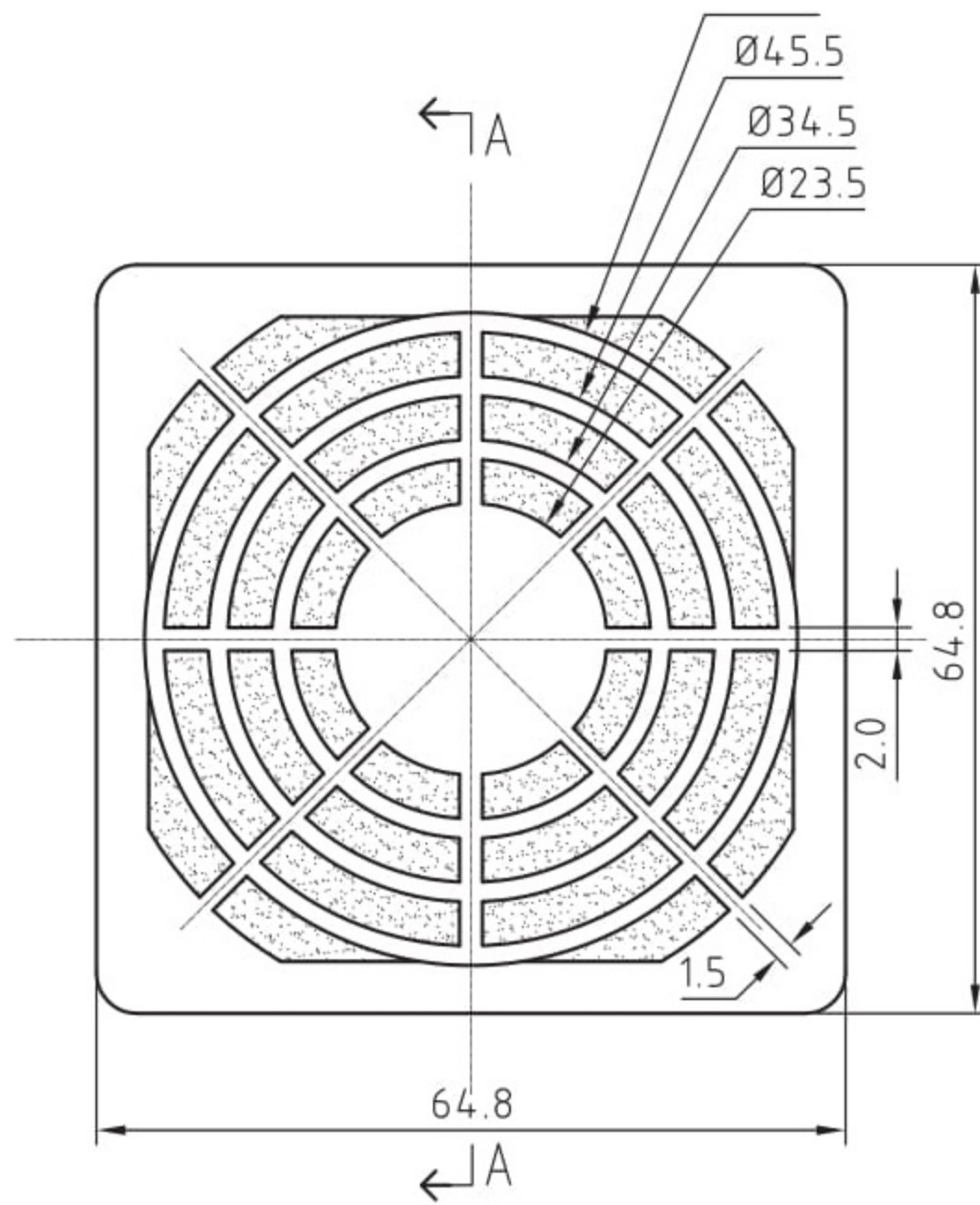
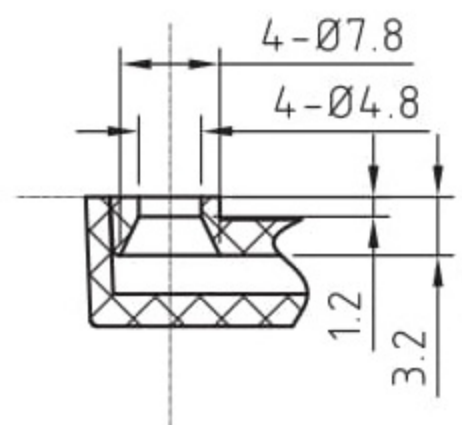
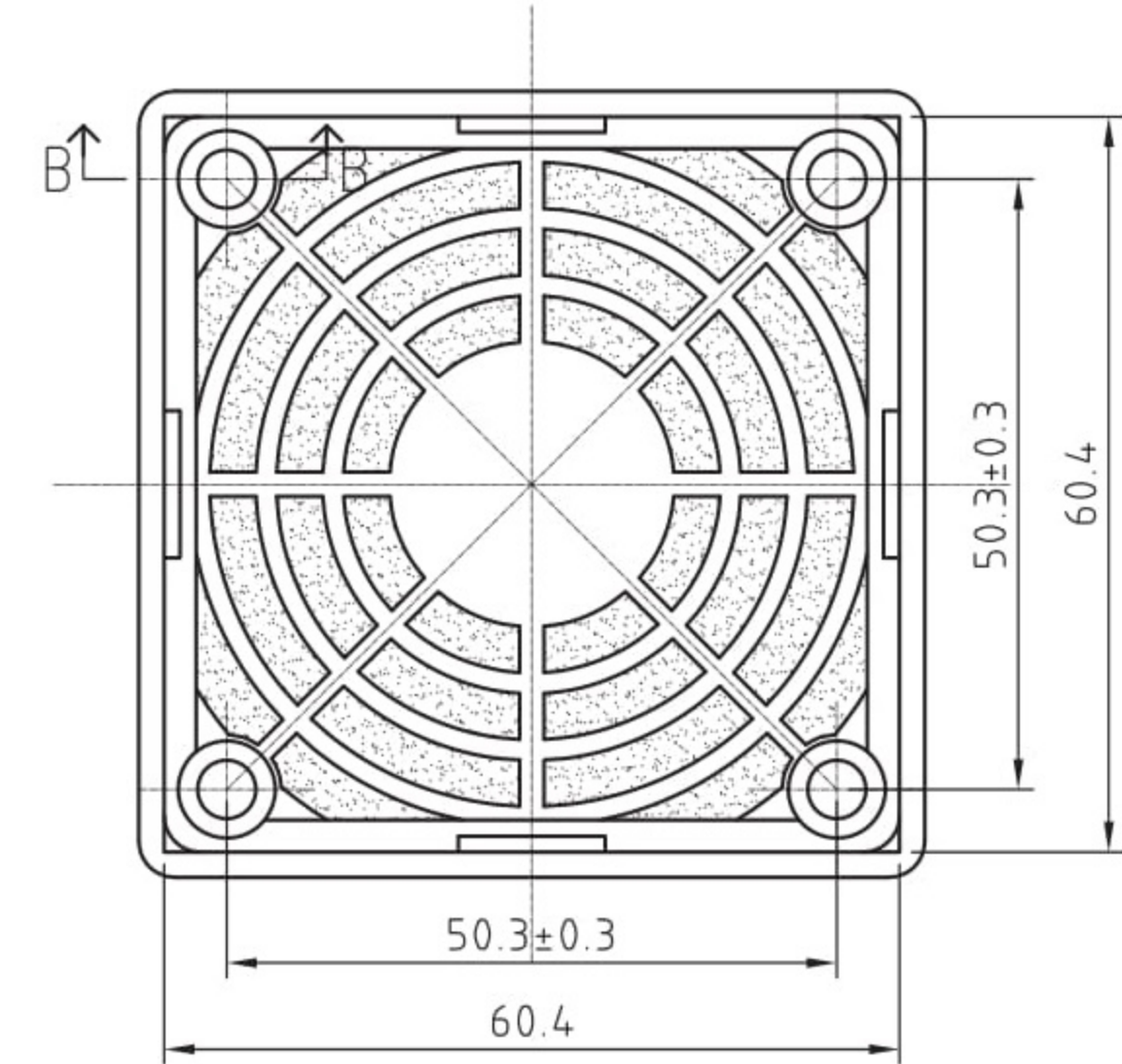
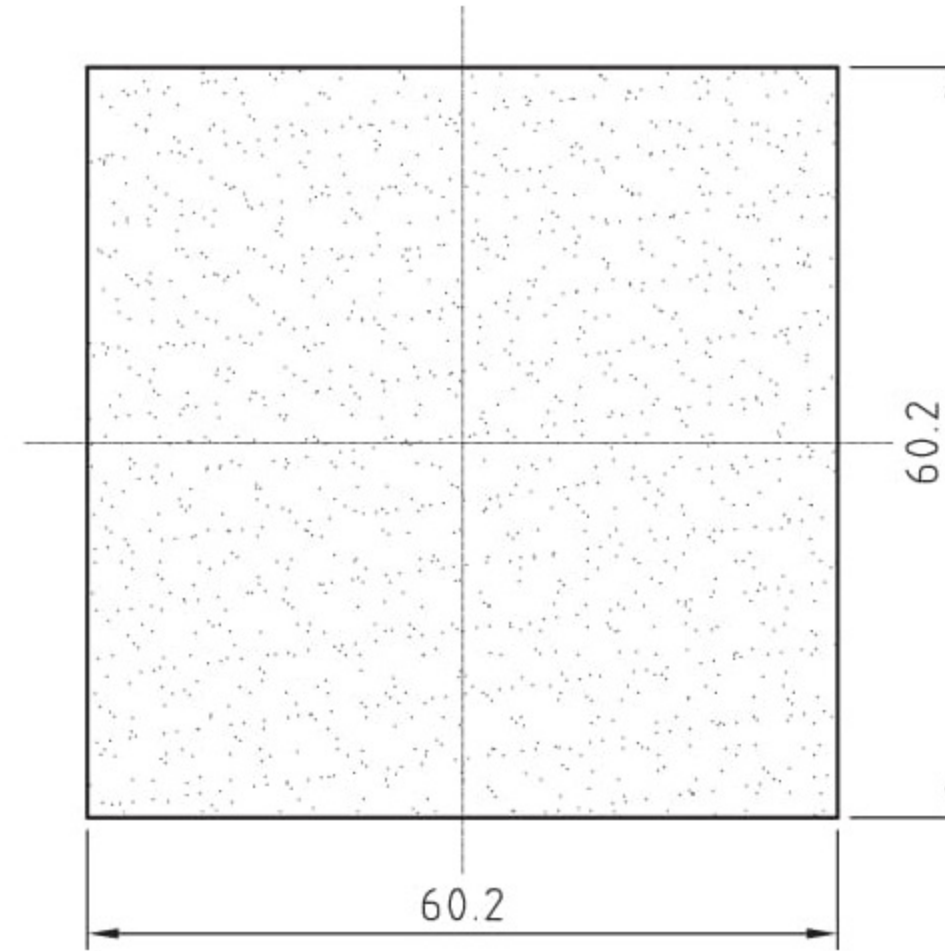


SNFC-60x60





Section A-A



Section B-B

(NOTES):

1. Material: Ventilation mesh body material, heat resistant grade ABS resin
2. Filter material: nylon fiber synthetic resin
3. Filter pressure loss:
initial: 6.9mmAQ
final: 24mmAQ
4. Use range: inside the house (-10°C +55°C)
5. Dust prevention rate: 89%
6. Protection level: IP54
7. Maximum wind speed: 2m/sec

	DO NOT SCALE				CUSTOMER	
	DRAWN BY	CHECKED	APPROVED	SCALE	1/1	PART NO.
				DRAWING DATE		MATERIAL
						FINISH
					CUSTOMER	SNFC-60x60
					MATERIAL	SEE NOTES
					FINISH	SEE NOTES