

BOM LIST			
ITEM	PART NAME	Q'ty	NOTES
1	PLASTIC HOOD	2	ABS
2	2.1 LONG BOLT	2	#4-40
	2.2 SHORT BOLT	2	#4-40
3	NUT	2	M3
4	LONG SCREW	2	M3
5	SMALL WASHER	2	M3
6	SHORT SCREW	2	M3
7	METAL WASHER	2	M3

REV.	DESCRIPTION	DRAWN	CHECKED	APPROVED
A	NEW RELEASE	LJH 08/13/05'	~	LJC 08/13/05'
B	整理图画	YCH 09/13/07'	~	LJC 05/20/10'
C	改M3*12的螺钉为M3*10	YCH 08/30/10'	~	LJC 08/30/10'
D	MINUS P/N CODE	JLZ 12/16/14'	~	

NOTES:

1. PART NUMBER CODE:

DS1046 - 09 X X X X

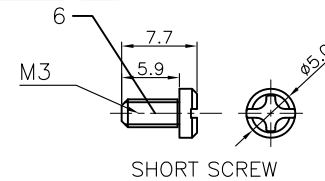
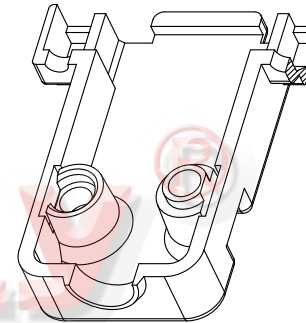
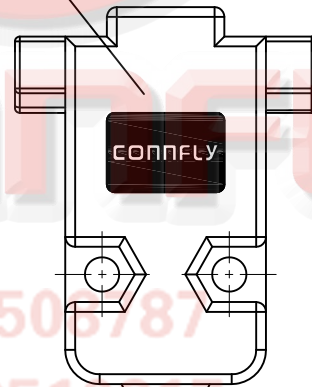
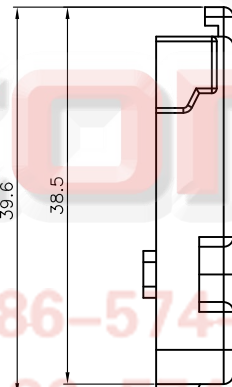
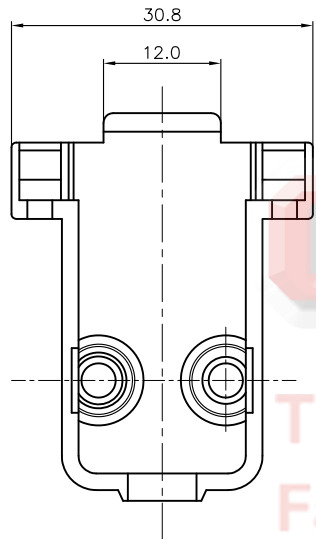
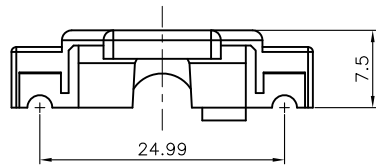
Washer type (D)  
1: Metal

Bolt type  
L: Long  
S: Short

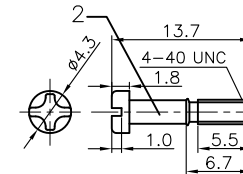
Packing type  
1: Mix packing

Cover Material  
C: Chromium plating

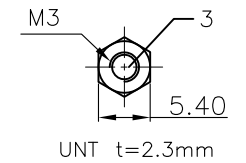
Position  
09: 9pin



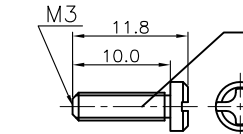
SHORT SCREW



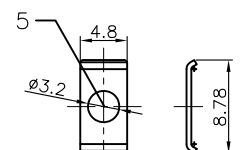
Short BOLT



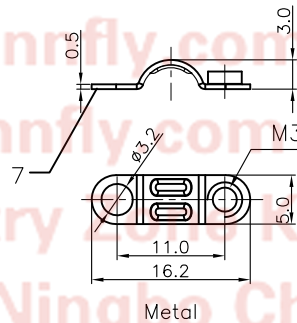
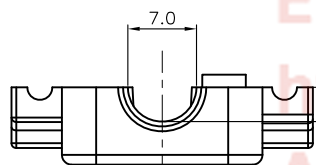
UNT t=2.3mm



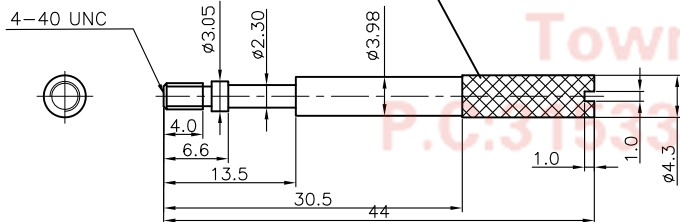
LONG SCREW



SMALL WASHER



Metal



Long BOLT

GENERAL TOLERANCE	ANGLE TOLERANCE
X. ±0.60	X. ±5°
.X ±0.38	.X ±3°
.XX ±0.25	.XX ±2°

PROJECTION	TITLE
UNITS	D-SUB 9pin Hood Chromium Plated
SHEET SIZE	SERIES DS1046 SERIES

DRAWING TYPE	COSTOMER
SCALE	1:1 SHEET 1 OF 1
DRAWING NO.	C-DS1046-09XXXX-C

**CONNFLY** 晨翔电子有限公司  
**CONNFLY ELECTRONIC CO. LTD**

Tel: 86-574-63505787  
Fax: 86-574-63510817  
E-mail: sale@connfly.com  
http://www.connfly.com  
Add: East Industry Zone, KuangYan Town, Cixi, Ningbo, China  
P.C: 315333